

# VALVES

WELLGROW INDUSTRIES CORP.

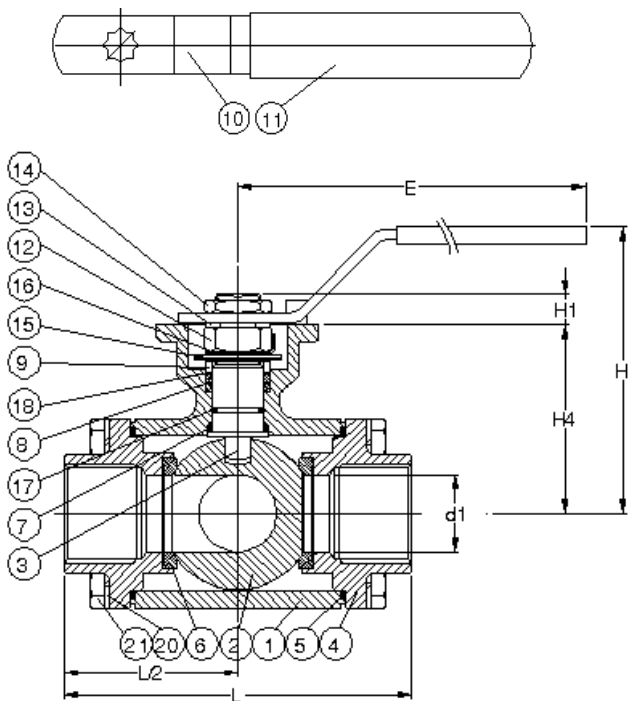
## 3W2L / 3W2T 3-Way Ball Valve 1000WOG, Full Port, Direct Mount, L / T Port

### Features

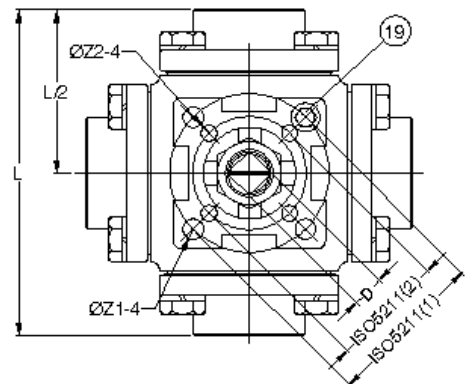
1. Thread ends conform to ASME B1.20.1 (NPT), DIN 259/ 2999 & BS 21, ISO 228/1 & ISO 7/1
2. Investment casting
3. Blow-out proof stem
4. Contains 1 body, 3 or 4 caps, 3 or 4 seats

### Options

1. Carbon/ Stainless steel body construction
2. Locking device is available if requested



PORT \ TURN	TURN			
	0°	90°	180°	270°
L				
T				



### Dimension

SIZE	d1	L	E	H1	H	H4	C	Z1	Z2	F	ISO 5211	
1/2"	16.0	96.0	186.5	9.0	89.0	47.8	9.0	6.0	48.0		42	F04
3/4"	20.0	107.0	218.0	11.0	98.0	58.2	9.0	7.0	53.5		50	F05
1"	25.0	126.0	218.0	11.5	102.0	64.0	9.0	7.0	63.0		50	F05
1-1/4"	32.0	133.0	235.0	15.2	118.5	79.0	14.0	9.0	7.0	66.5	50	70
											F05	F07
1-1/2"	38.0	151.0	235.0	14.3	127.0	88.5	14.0	9.0	7.0	75.5	50	70
											F05	F07
2"	50.0	166.0	252.0	17.8	139.0	105.8	17.0	11.0	9.0	83.0	70	102
											F07	F10
2-1/2"	65.0	175.0	252.0	17.5	165.7	117.3	17.0	11.0	9.0	87.5	70	102
											F07	F10
3"	80.0	207.2	252.0	17.5	170.0	128.0	17.0	11.0	9.0	103.6	70	102
											F07	F10

### Material List

NO.	PART NAME	MATERIAL
1	BODY	SS316
2	BALL	SS316
3	STEM	SS316
4	END CAP	SS316
5	BODY SEAL	PTFE.
6	SEAT	PTFE.
7	THRUST WASHER	PTFE.
8	STEM PACKING	PTFE.
9	GLAND	SS304
10	HANDLE	SS304
11	HANDLE COVER	PLASTIC
12	STEM NUT	SS304
13	HANDLE WASHER	SS304
14	HANDLE NUT	SS304
15	BELLEVEILLE WASHER	SS410
16	STOP WASHER	SS304
17	O-RING	VITON
18	PACKING FOLLOWER	PTFE. + 25%G/F
19	STOP PIN	SS304
20	BOLT	SS304
21	BOLT WASHER	SS304