

# VALVES

WELLGROW INDUSTRIES CORP.

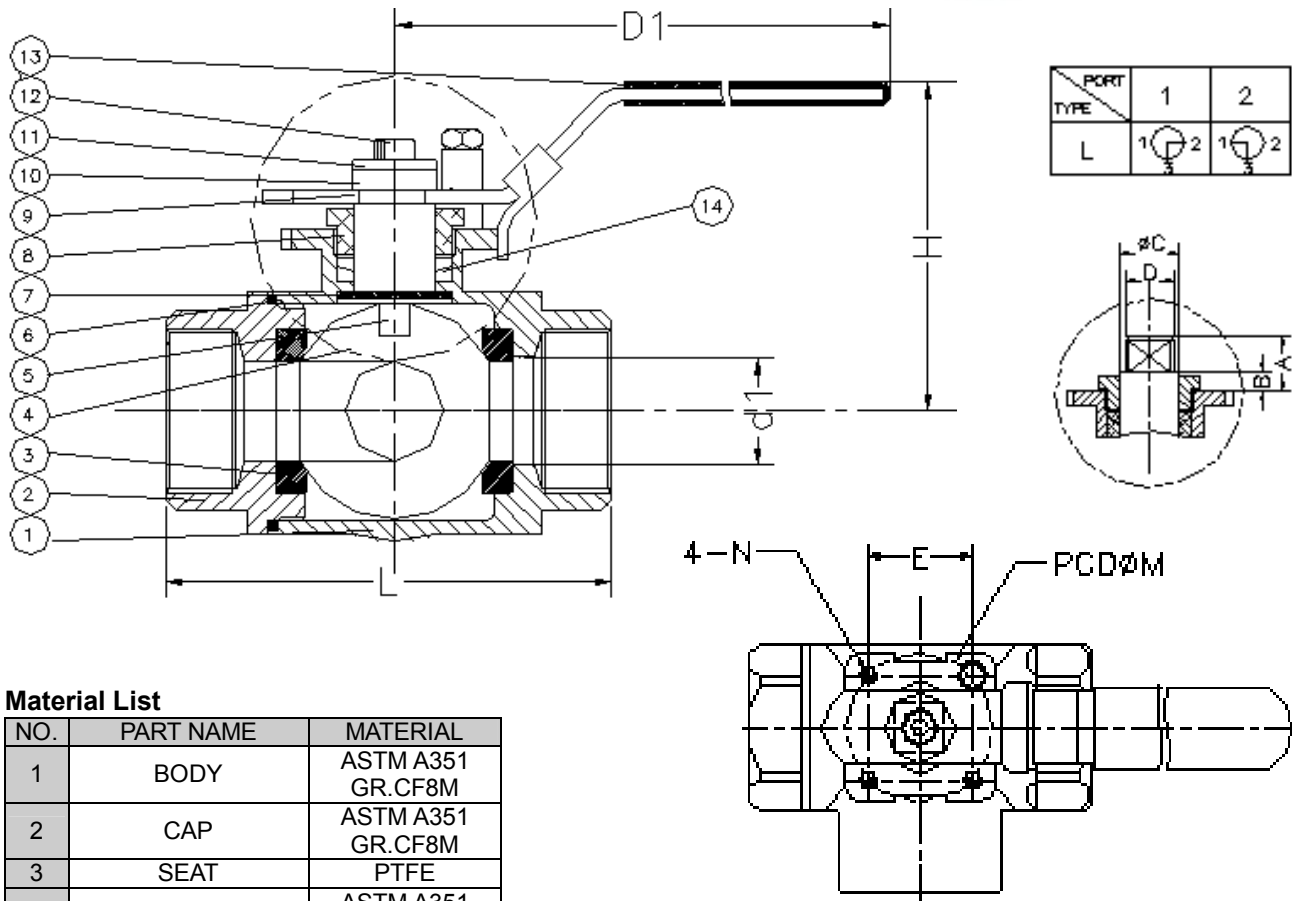
## 3W1L 3-Way Ball Valve 1000WOG, STD Port, L-Port, Mounting Pad

### Features

1. Thread ends conform to ASME B1.20.1 (NPT), DIN 259/ 2999 & BS 21, ISO 228/1 & ISO 7/1
2. Investment casting
3. Blow-out proof stem
4. Contains 1 Body, 1 Caps & 2 Seats

### Options

1. Carbon/ Stainless steel body construction
2. Locking device is available if requested



### Material List

NO.	PART NAME	MATERIAL
1	BODY	ASTM A351 GR.CF8M
2	CAP	ASTM A351 GR.CF8M
3	SEAT	PTFE
4	BALL	ASTM A351 GR.CF8M
5	STEM	SS316
6	END SEALS	PTFE
7	THRUST WASHER	PTFE
8	GLAND	SS304
9	HANDLE	SS304
10	HANDLE WASHER	SS304
11	WASHER	SS304
12	HANDLE NUT	SS304
13	HANDLE COVER	PLASTIC
14	STEM PACKINGS	PTFE

### Dimension

SIZE	d1	L	H	D1	A	B	C	D	E	F	M	N
1/4"	11.0	57.2	62.7	133	11	6	12	9	25	29	36	M5*0.8
3/8"	11.0	57.2	62.7	133	11	6	12	9	25	29	36	M5*0.8
1/2"	12.5	66	64.7	133	11	6	12	9	25	33.5	36	M5*0.8
3/4"	16.0	77	67.7	133	11	6	12	9	25	38.7	36	M5*0.8
1"	20.0	88	71.2	133	11	6	12	9	29	46	42	M5*0.8
1-1/4"	25.4	103	88.7	178.5	23.5	8	15	11	35.5	51.7	50	M6*1.0
1-1/2"	31.8	111	93.7	178.5	23.5	8	15	11	35.5	61	50	M6*1.0
2"	38.1	136	98.2	178.5	23.5	8	15	11	35.5	71.4	50	M6*1.0