

VALVES

WELLGROW INDUSTRIES CORP.

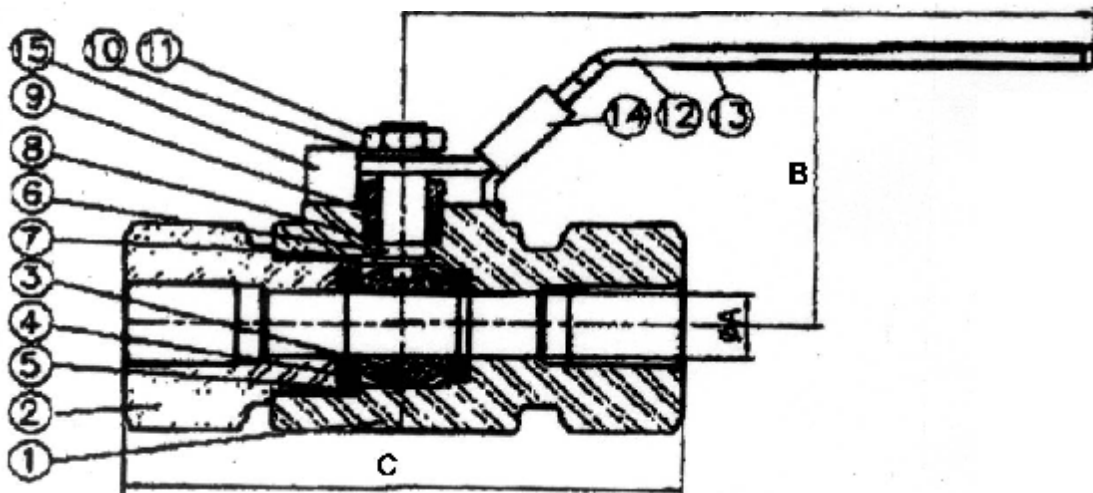
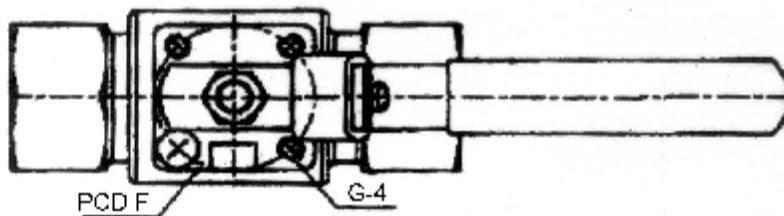
VB260 2PC Ball Valve 6000WOG, Full Port

Features

1. Thread ends conform to ASME B1.20.1 (NPT), DIN 259/ 2999 & BS 21, ISO 228/1 & ISO 7/1
2. Investment casting
3. Blow-out proof stem
4. Pressure: 6000WOG
5. Adjustable stem pack

Options

1. Carbon/ Stainless steel body construction
2. Locking device is available if requested



Material List

NO.	PART NAME	MATERIAL
1	BODY	A351 CF8M/A216 WCB
2	END CAP	A351 CF8M/A216 WCB
3	BALL	A351 CF8M
4	BALL SEAT	PTFE
5	BODY SEAL	PTFE
6	STEM	SUS316
7	THRUST WASHER	PTFE
8	STEM PACKING	PFTE
9	GLAND NUT	SUS304
10	HANDLE WASHER	SUS304
11	HANDLE NUT	SUS304
12	HANDLE	SUS304
13	HANDLE COVER	PVC
14	LOCKING PLATE	SUS304
15	STOP PIN	SUS304

Dimension

Size	A	B	C	D	F	G
1/4"	6.4	56	76.3	129	36	M5X0.8P
3/8"	9.6	56	76.3	129	36	M5X0.8P
1/2"	12.7	56	101.4	129	36	M5X0.8P
3/4"	20	68	108.2	150	42	M5X0.8P
1"	25.4	88	114.4	205	42	M5X0.8P
1-1/2"	38.1	113	133.3	260	50	M6X1.0P
2"	50	113	168.7	260	50	M6X1.0P