

VALVES

WELLGROW INDUSTRIES CORP.

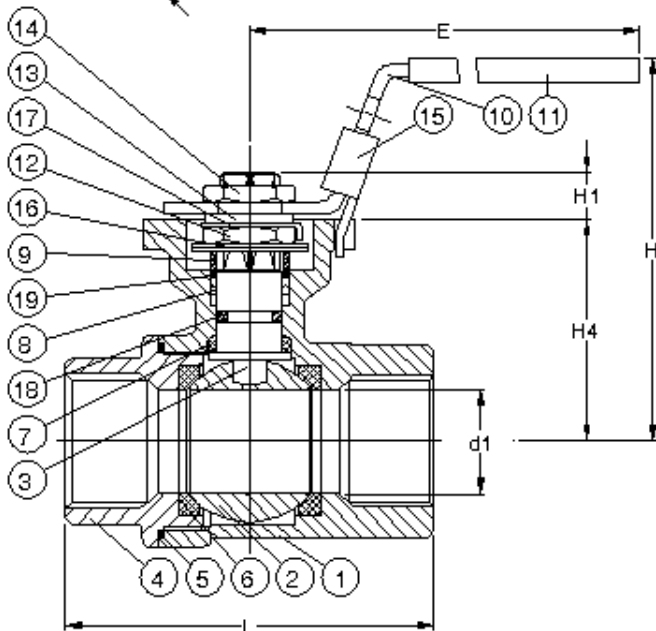
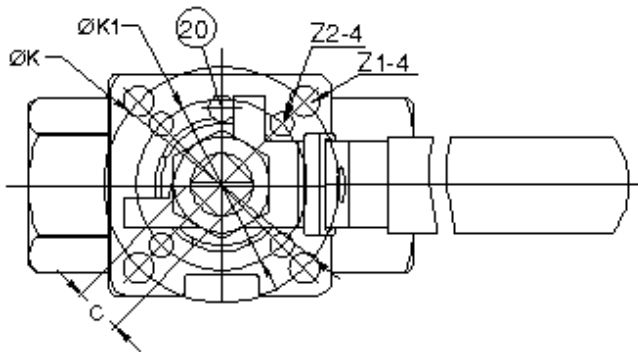
VBM2D 2PC Ball Valve 1000WOG, Full Port, ISO 5211 Direct Mount

Features

1. Thread ends conform to ASME B1.20.1 (NPT), DIN 259/ 2999 & BS 21, ISO 228/1 & ISO 7/1
Thread type: PF, PT, NPT
2. Investment casting
3. Blow-out proof stem
4. Pressure: 1000WOG

Options

1. Carbon/ Stainless steel body construction
2. Locking device is available if requested



Material List

NO.	PART NAME	MATERIAL
1	BODY	SS316
2	BALL	SS316
3	STEM	SS316
4	END CAP	SS316
5	BODY SEAL	PTFE.
6	SEAT	PTFE.
7	THRUST WASHER	PTFE.
8	STEM PACKING	PTFE.
9	GLAND BUSH	SS304
10	HANDLE	SS304
11	HANDLE COVER	PLASTIC
12	STEM NUT	SS304
13	HANDLE WASHER	SS304
14	HANDLE NUT	SS304
15	LOCKING DEVICE	SS304 (OPTION)
16	BELLEVILLE WASHER	SS304-CSP
17	TAB WASHER	SS304
18	STEM O-RING	VITON
19	PACKING FOLLOWER	PTFE.+25%GF
20	STOP PIN	SS304

Dimension

SIZE	d1	L	E	H	H1	H4	C	ØK	ØK1	Z1-4	Z2-4	
DN8	1/4"	11.5	65.3	112.0	72.9	8.5	37.0	9.0	50.0	36.0	7.0	6.0
DN10	3/8"	12.5	65.3	112.0	72.9	8.5	37.0	9.0	50.0	36.0	7.0	6.0
DN15	1/2"	15.0	65.3	112.0	72.9	8.5	37.0	9.0	50.0	36.0	7.0	6.0
DN20	3/4"	20.0	77.3	112.0	81.8	8.5	45.0	9.0	50.0	36.0	7.0	6.0
DN25	1"	25.0	88.7	136.0	90.5	11.4	53.5	9.0	50.0	36.0	7.0	6.0
DN32	1-1/4"	32.0	102.4	185.0	98.0	11.4	59.0	9.0	50.0	36.0	7.0	6.0
DN40	1-1/2"	38.0	109.0	197.9	114.7	14.0	74.8	14.0	70.0	50.0	9.0	7.0
DN50	2"	50.0	125.3	197.9	124.0	13.7	83.5	14.0	70.0	50.0	9.0	7.0