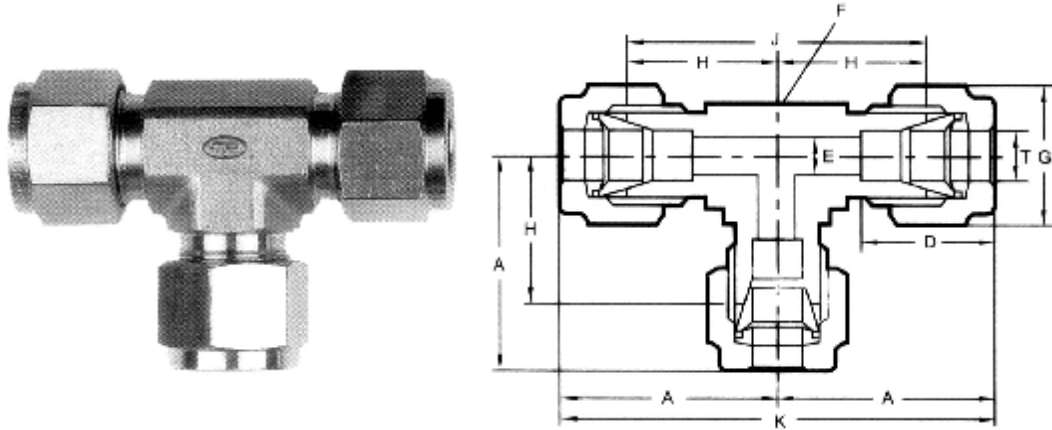


# COMPRESSION TUBE FITTINGS

WELLGROW INDUSTRIES CORP.

## UT Union Tee



### Metric

TUBE O.D.	CATALOG NUMBER	A	D	E	F	G	H	J	K
3	UT-3-0	22.3	12.9	2.0	12.0	10.0	15.7	31.5	44.7
4	UT-4-0	25.4	13.7	3.0	12.0	12.0	18.8	37.6	50.8
6	UT-6-0	27.0	15.3	5.0	12.0	14.0	19.6	39.1	53.9
8	UT-8-0	29.9	16.2	6.0	14.0	17.0	22.4	44.7	59.7
10	UT-10-0	31.5	17.2	8.0	17.0	19.0	23.9	47.8	63.0
12	UT-12-0	36.0	22.8	10.0	22.0	22.0	25.9	51.8	72.0
14	UT-14-0	38.8	24.4	10.0	24.0	27.0	28.7	57.4	77.6
15	UT-15-0	38.8	24.4	11.0	24.0	27.0	28.7	57.4	77.6
16	UT-16-0	38.8	24.4	12.0	24.0	27.0	28.7	57.4	77.6
18	UT-18-0	38.8	24.4	14.0	27.0	30.0	29.7	59.4	79.5
20	UT-20-0	44.6	26.0	16.0	30.0	32.0	34.5	69.1	89.3
22	UT-22-0	44.6	26.0	18.0	30.0	32.0	34.5	69.1	89.3
25	UT-25-0	49.1	31.3	21.0	35.0	38.0	36.8	73.7	98.3

### Fractional

TUBE O.D.	CATALOG NUMBER	A	D	E	F	G	H	J	K
1/16	UT-005-0	17.8	8.6	1.0	12.0	10.0	14.0	28.0	35.6
1/8	UT-01-0	22.4	12.7	2.0	12.0	10.0	15.8	31.4	44.8
3/16	U-015-0	25.4	13.7	3.0	12.0	12.0	19.6	39.1	50.8
1/4	UT-02-0	27.0	15.2	5.0	12.0	14.0	22.4	44.8	54.0
3/8	UT-03-0	30.5	16.8	8.0	17.0	19.0	23.1	46.2	61.0
1/2	UT-04-0	36.0	22.8	10.0	22.0	22.0	26.0	52.0	72.0
5/8	UT-05-0	38.9	24.4	12.0	24.0	27.0	28.7	57.4	77.8
3/4	UT-06-0	40.0	26.0	15.0	27.0	30.0	29.7	59.4	80.0
1	UT-08-0	49.0	31.2	21.0	35.0	38.0	36.8	73.6	98.0