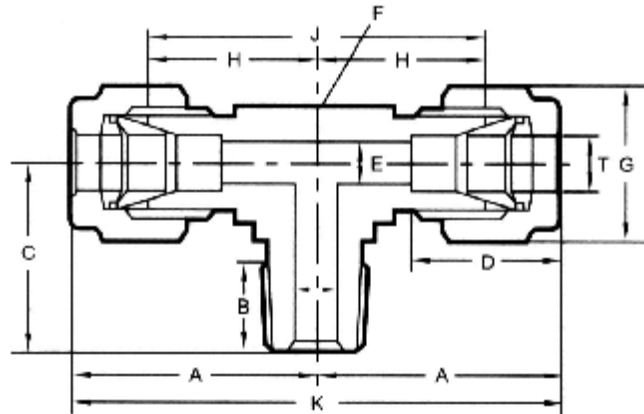
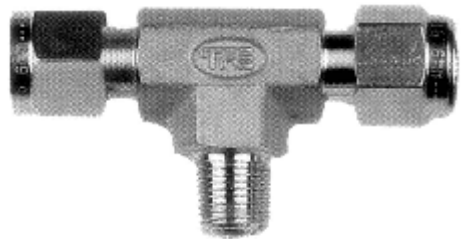


# COMPRESSION TUBE FITTINGS

WELLGROW INDUSTRIES CORP.

## MBT Male Branch Tee



### Metric

TUBE O.D.	PT-NPT MALE PIPE SIZE	CATALOG NUMBER	A	B	C	D	E	F	G	H	J	K
4	1/8	MBT-4-1	25.4	10	19.1	13.7	3	12	12	18.8	37.6	50.8
4	1/4	MBT-4-2	25.4	13	22.2	13.7	3	14	12	18.8	37.6	50.8
6	1/8	MBT-6-1	27.0	10	19.1	15.3	5	12	14	19.6	39.2	54.0
6	1/4	MBT-6-2	27.0	13	22.2	15.3	5	14	14	19.6	39.2	54.0
6	3/8	MBT-6-3	29.8	14	26.0	15.3	5	17	14	22.4	44.8	59.4
6	1/2	MBT-6-4	31.8	17	31.0	15.3	5	22	14	24.4	48.8	63.6
8	1/8	MBT-8-1	28.8	10	20.1	16.2	6	14	17	21.3	42.6	57.6
8	1/4	MBT-8-2	28.8	13	23.2	16.2	6	14	17	21.3	42.6	57.6
8	3/8	MBT-8-3	30.6	14	26.0	16.2	6	17	17	21.3	46.2	61.2
8	1/2	MBT-8-4	32.6	17	31.0	16.2	6	22	17	23.1	50.2	65.2
10	1/8	MBT-10-1	31.5	10	21.9	17.2	8	17	19	25.1	47.8	63.0
10	1/4	MBT-10-2	31.5	13	25.0	17.2	8	17	19	23.9	47.8	63.0
10	1/8	MBT-10-3	31.5	14	26.0	17.2	8	17	19	23.9	47.8	63.0
10	1/2	MBT-10-4	33.5	17	31.0	17.2	8	22	19	25.9	51.8	67.0
12	1/8	MBT-12-1	36.0	10	25.7	22.8	10	22	22	25.9	51.8	72.0
12	1/4	MBT-12-2	36.0	13	27.0	22.8	10	22	22	25.9	51.8	72.0
12	3/8	MBT-12-3	36.0	14	28.0	22.8	10	22	22	25.9	51.8	72.0
12	1/2	MBT-12-4	36.0	17	31.0	22.8	10	22	22	25.9	51.8	72.0
12	3/4	MBT-12-6	39.8	19	36.8	22.8	10	27	22	29.7	59.4	79.6
12	1	MBT-12-8	45.3	22	45.2	22.8	10	35	22	35.2	70.4	90.6
14	1/8	MBT-14-3	38.0	14	29.0	24.4	10	24	27	27.9	55.8	76.0
14	1/4	MBT-14-4	38.0	17	33.1	24.4	10	24	27	27.9	55.8	76.0
14	3/4	MBT-14-6	38.0	19	36.8	24.4	10	27	27	29.7	59.4	79.6
15	3/8	MBT-15-3	38.0	14	29.0	24.4	11	24	27	27.9	55.8	76.0
15	1/2	MBT-15-4	38.0	17	33.1	24.4	11	24	27	29.7	55.8	76.0
15	3/4	MBT-15-6	39.8	19	36.8	24.4	11	27	27	27.9	59.4	79.6
16	3/8	MBT-16-3	38.0	14	29.0	24.4	12	24	27	27.9	55.8	76.0
16	1/2	MBT-16-4	38.0	17	33.1	24.4	12	24	27	27.9	55.8	76.0
16	3/4	MBT-16-6	39.8	19	36.8	24.4	12	27	27	29.7	59.4	79.6
18	3/8	MBT-18-3	39.8	14	32.5	24.4	14	27	30	29.7	59.4	79.6
18	1/2	MBT-18-4	39.8	17	34.8	24.4	14	27	30	29.7	59.4	79.6
18	3/4	MBT-18-6	39.8	19	36.8	24.4	14	27	30	29.7	59.4	79.6
20	1/2	MBT-20-4	44.6	17	39.7	26.0	16	30	32	34.5	69.0	89.2
20	3/4	MBT-20-6	44.6	19	41.7	26.0	16	30	32	34.5	69.0	89.2
22	1/2	MBT-22-4	44.6	17	39.7	26.0	18	30	32	34.5	69.0	89.2
22	3/4	MBT-22-6	44.6	19	41.7	26.0	18	30	32	34.5	69.0	89.2
25	1/2	MBT-25-4	49.1	17	39.7	31.3	21	35	38	36.8	73.6	98.2
25	3/4	MBT-25-6	49.1	19	41.7	31.3	21	35	38	36.8	73.6	98.2
25	1	MBT-25-8	49.1	22	41.5	31.3	21	35	38	36.8	73.6	98.2

# COMPRESSION TUBE FITTINGS

WELLGROW INDUSTRIES CORP.

## Fractional

TUBE O.D.	PT-NPT MALE PIPE SIZE	CATALOG NUMBER	A	B	C	D	E	F	G	H	J	K
1/8	1/8	MBT-01-1	23.6	10	18.1	12.7	3	12	12	17.0	34.0	47.2
1/8	1/4	MBT-01-2	24.6	13	22.2	12.7	3	14	12	18.0	36.0	49.2
1/4	1/8	MBT-02-1	27.0	10	19.1	15.2	5	12	14	19.6	39.2	54.0
1/4	1/4	MBT-02-2	27.0	13	22.2	15.2	5	14	14	19.6	39.2	54.0
1/4	3/8	MBT-02-3	29.8	14	26.0	15.2	5	17	14	22.4	44.8	59.6
1/4	1/2	MBT-02-4	31.8	17	31.0	15.2	5	22	14	24.4	48.8	63.6
3/8	1/8	MBT-03-1	30.5	10	21.1	16.8	8	17	17	21.3	42.6	61.0
3/8	1/4	MBT-03-2	30.5	13	24.2	16.8	8	17	17	21.3	42.6	61.0
3/8	3/8	MBT-03-3	31.2	14	26.0	16.8	8	17	17	23.1	46.2	62.4
3/8	1/2	MBT-03-4	33.3	17	31.0	16.8	8	22	17	26.0	52.0	66.6
1/2	1/8	MBT-04-1	36.0	10	25.7	22.8	10	22	22	25.9	51.8	72.0
1/2	1/4	MBT-04-2	36.0	13	27.0	22.8	10	22	22	25.9	51.8	72.0
1/2	3/8	MBT-04-3	36.0	14	28.0	22.8	10	22	22	25.9	51.8	72.0
1/2	1/2	MBT-04-4	36.0	17	31.0	22.8	10	22	22	25.9	51.8	72.0
1/2	3/4	MBT-04-6	39.8	19	36.8	22.8	10	27	22	29.7	59.4	79.6
1/2	1	MBT-04-8	45.3	22	45.2	22.8	10	35	22	35.2	70.4	90.6
5/8	3/8	MBT-05-3	38.1	14	30.0	24.4	12	24	27	27.9	55.8	76.2
5/8	1/2	MBT-05-4	38.1	17	33.1	24.4	12	24	27	27.9	55.8	76.2
5/8	3/4	MBT-05-6	40.0	19	36.8	24.4	12	27	27	29.7	59.4	80.0
3/4	3/4	MBT-06-6	40.5	19	36.8	24.4	15	27	30	29.7	59.4	81.0
1	3/4	MBT-08-6	49.0	19	41.7	31.3	21	35	38	36.8	73.6	98.0
1	1	MBT-08-8	49.0	22	44.5	31.3	21	35	38	36.8	73.6	98.0