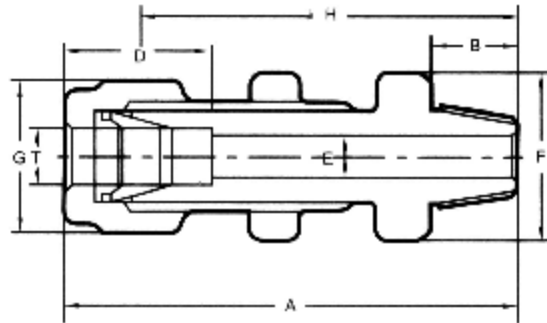
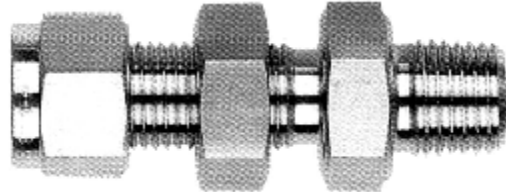


COMPRESSION TUBE FITTINGS

WELLGROW INDUSTRIES CORP.

BMC Bulkhead Male Connector



Metric

TUBE O.D.	PIPE SIZE PT/NPT	CATALOG NUMBER	A	B	D	E	F	G	H	PANEL HOLE SIZE	MAX PANEL THICK
6	1/8	BMC-6-1	50.9	10	15.3	5.0	17	14	42.4	11.5	10.2
6	1/4	BMC-6-2	53.6	13	15.3	5.0	17	14	46.2	11.5	10.2
6	3/8	BMC-6-3	54.9	14	15.3	5.0	17	14	40.9	11.5	10.2
6	1/2	BMC-6-4	57.9	17	15.3	5.0	22	14	43.9	11.5	10.2
8	1/8	BMC-8-1	53.4	10	16.2	6.0	19	17	38.4	13.1	11.2
8	1/4	BMC-8-2	56.4	13	16.2	6.0	19	17	41.4	13.1	11.2
8	3/8	BMC-8-3	57.4	14	16.2	6.0	19	17	42.4	13.1	11.2
8	1/2	BMC-8-4	60.4	17	16.2	6.0	22	17	45.4	13.1	11.2
10	1/4	BMC-10-2	56.0	13	17.2	8.0	19	19	42.0	16.3	11.2
10	3/8	BMC-10-3	56.0	14	17.2	8.0	19	19	43.0	16.3	11.2
10	1/2	BMC-10-4	56.0	17	17.2	8.0	24	19	47.0	16.3	11.2
12	1/4	BMC-12-2	62.2	13	22.8	10.0	24	22	42.7	19.5	12.7
12	3/8	BMC-12-3	63.2	14	22.8	10.0	24	22	43.7	19.5	12.7
12	1/2	BMC-12-4	68.8	17	22.8	10.0	24	22	58.7	19.5	12.7

Fractional

TUBE O.D.	PIPE SIZE PT/NPT	CATALOG NUMBER	A	B	D	E	F	G	H	PANEL HOLE SIZE	MAX PANEL THICK
1/4	1/8	BMC-02-1	50.9	10	15.3	5.0	17	14	42.4	11.5	10.2
1/4	1/4	BMC-02-2	49.5	13	15.3	5.0	17	14	46.7	11.5	10.2
1/4	3/8	BMC-02-3	54.9	14	15.3	5.0	17	14	40.9	11.5	10.2
1/4	1/2	BMC-02-4	57.9	17	15.3	5.0	22	14	43.9	11.5	10.2
3/8	1/4	BMC-03-2	57.4	13	16.8	8.0	19	17	42.0	16.3	11.2
3/8	3/8	BMC-03-3	57.4	14	16.8	8.0	19	17	43.0	16.3	11.2
3/8	1/2	BMC-03-4	63.8	17	16.8	8.0	22	17	47.0	16.3	11.2
1/2	1/4	BMC-04-2	62.2	13	22.8	10.0	24	22	42.7	19.5	12.7
1/2	3/8	BMC-04-3	63.2	14	22.8	10.0	24	22	43.7	19.5	12.7
1/2	1/2	BMC-04-4	68.8	17	22.8	10.0	24	22	58.8	19.5	12.7