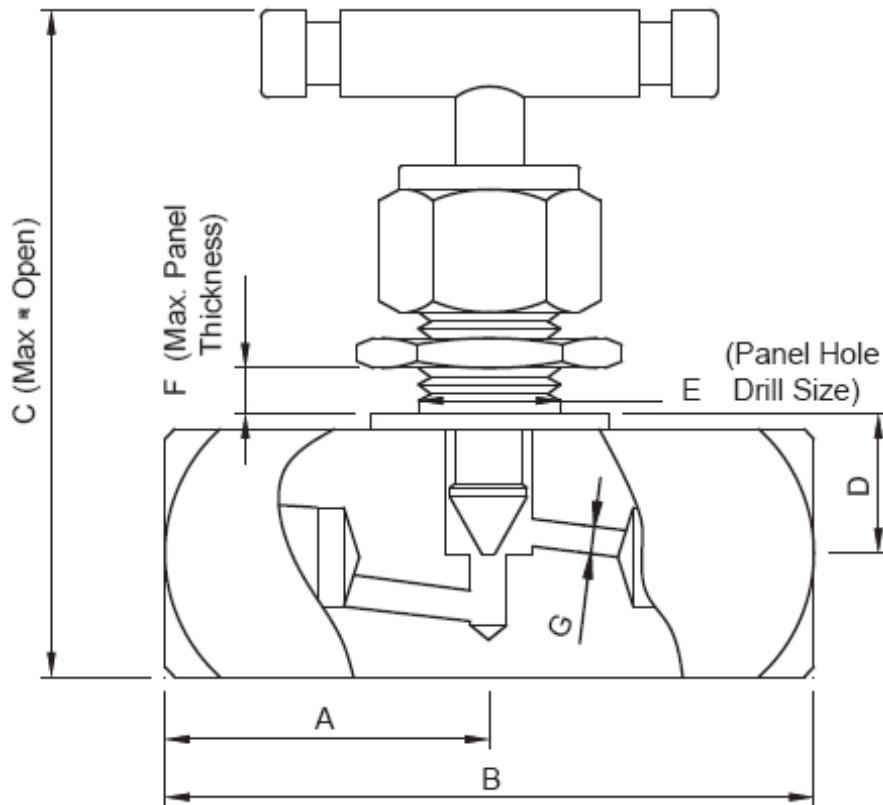


Instrument Needle Valve, Integral Bonnet, Forged Body, Female

Features

1. Forged or Bar Stock body construction.
2. Metal to metal or stellite seat for high pressure.
3. Straight Pattern with panel mounting optional.
4. One piece or non-regulating Vee tip, non-rotating ball tip optional.
5. Variety of end connections: Female NPT and ISO., DIN and JIS tapered pipe ends.
6. Maximum Working Pressure: 6000PSI (414bar) at 200°C, .
7. 100% factory tested.



Dimension

SIZE	END CONNECTION (INLET X OUTLET)	A	B	C	D	E	F	G
1/4"	FNPT	27.5	55	77	17	14	5	3.5
3/8"	FNPT	32.0	64	79	19	16	5	5.0
1/2"	FNPT	31.5	63	81	21	16	5	5.0
3/4"	FNPT	33.5	67	84	24	16	5	10.0
1"	FNPT	35.5	71	87	27	16	5	10.0