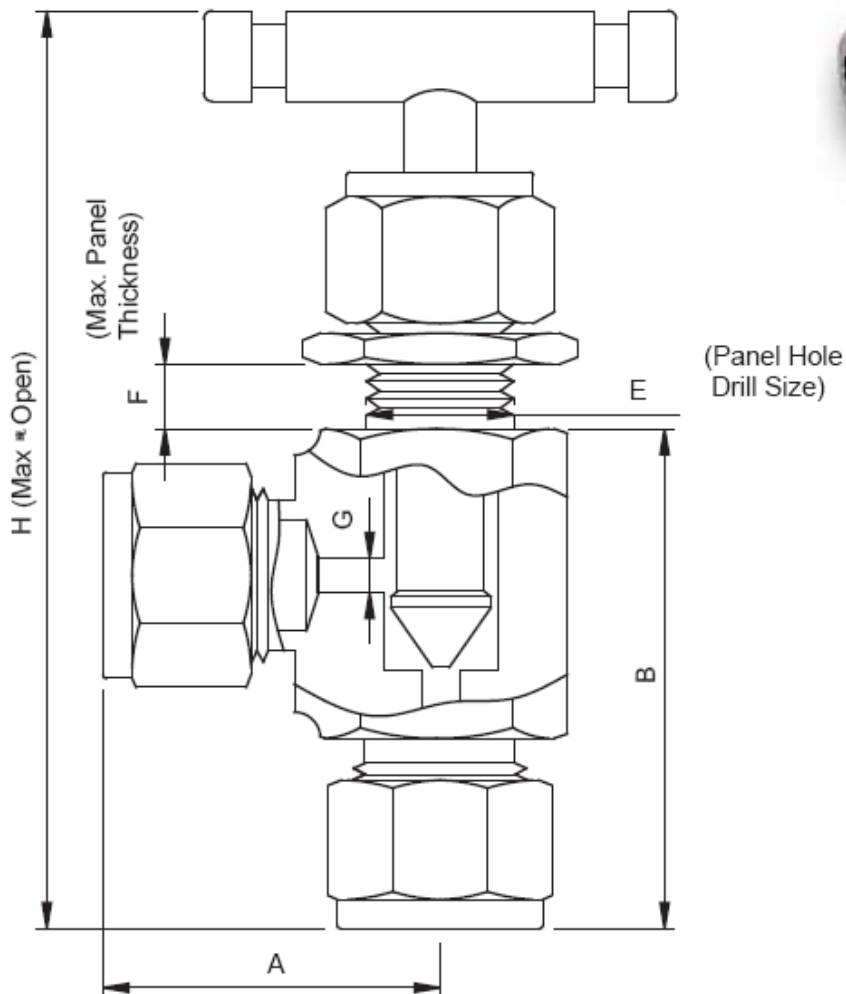


Instrument Needle Valve, Integral Bonnet, Forged Body, Angle Type

Features

1. Forged or Bar Stock body construction.
2. Metal to metal or stellite seat for high pressure.
3. Angle Pattern with panel mounting optional.
4. One piece or non-regulating Vee tip, non-rotating ball tip optional.
5. Variety of end connections: tube end.
6. Maximum Working Pressure: 6000PSI (414bar) at 200°C, .
7. 100% factory tested.



Dimension

SIZE	END CONNECTION (INLET X OUTLET)	A	B	E	F	G	H
1/4"	Wellgrow Tube End	34.5	51.5	14	5	3.5	89.5
3/8"	Wellgrow Tube End	35.5	54	14	5	3.5	92
1/2"	Wellgrow Tube End	39	56	16	5	5	94
6mm	Wellgrow Tube End	34.5	51	14	5	3.5	89
8mm	Wellgrow Tube End	35.5	52.5	14	5	3.5	90.5
10mm	Wellgrow Tube End	38.5	56	14	5	3.5	94
12mm	Wellgrow Tube End	39	56.5	16	5	5	94.5