

Check Valve-Tube End

Features

1. Working pressure range to 3000PSI
2. Temperature rating to 250°F (121°C) with Buna
3. Inline check valve
4. Instant shutoff in upstream condition
5. 100% Factory tested
6. Locks pressure in consumer
7. Stops reversed flow in order to protect instrumentations
8. Purge system
9. Suitable for gas or liquid

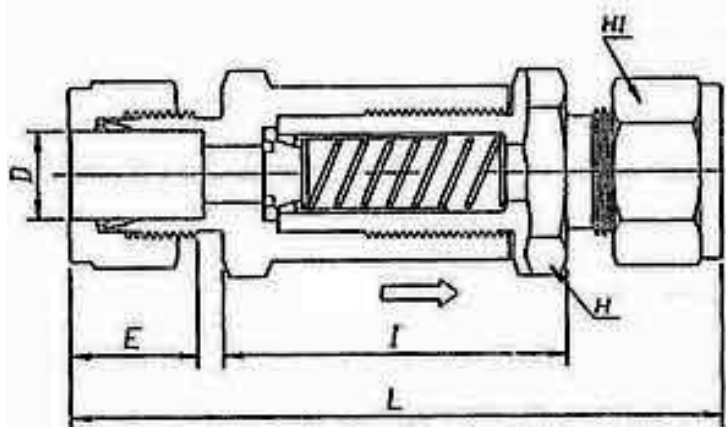


Description

1. Variety of end connections including tube end, male or female NPT and ISO, DIN and JIS tapered pipe ends
2. 100% factory tested for both crack & reseal

Technical Data

1. Max. Working Pressure: Brass- 1500 PSI (10,300 kpa)
SUS316- 3000 PSI (20,600 kpa)
2. Temperature Ratings: Viton: -23°C to 191°C (-10°F to 375°F)
Buna: -23°C to 121°C (-10°F to 250°F)
3. Nominal Cracking: 1, 10, 25PSI (2, 6, 66, 170 kpa)
Option: Spring with Cracking Pressure up to 100PSI



Description	Orifice		Conn./Size Inlet/Outlet	Dimension (mm)					
	mm	In.		D	I	E	L	H	H1
CV-02OD	5	0.197	1/4"OD	6.35	30.5	15.5	66.5	19	14
CV-03OD	6.5	0.256	3/8"OD	9.525	31.0	16.5	71.0	19	17
CV-04OD	11	0.433	1/2"OD	12.7	39.0	19.5	94.5	32	22
CV-06OD	11	0.433	3/4"OD	19.05	59.0	20.0	105.5	32	30
CV-6OD	5	0.197	6mmOD	6	30.0	14.5	65.5	19	14
CV-8OD	5	0.197	8mmOD	8	30.5	14.5	67.0	19	17
CV-10OD	5	0.197	10mmOD	10	30.5	16.5	69.0	19	19
CV-12OD	10	0.394	12mmOD	12	59.0	19.0	102.0	32	22