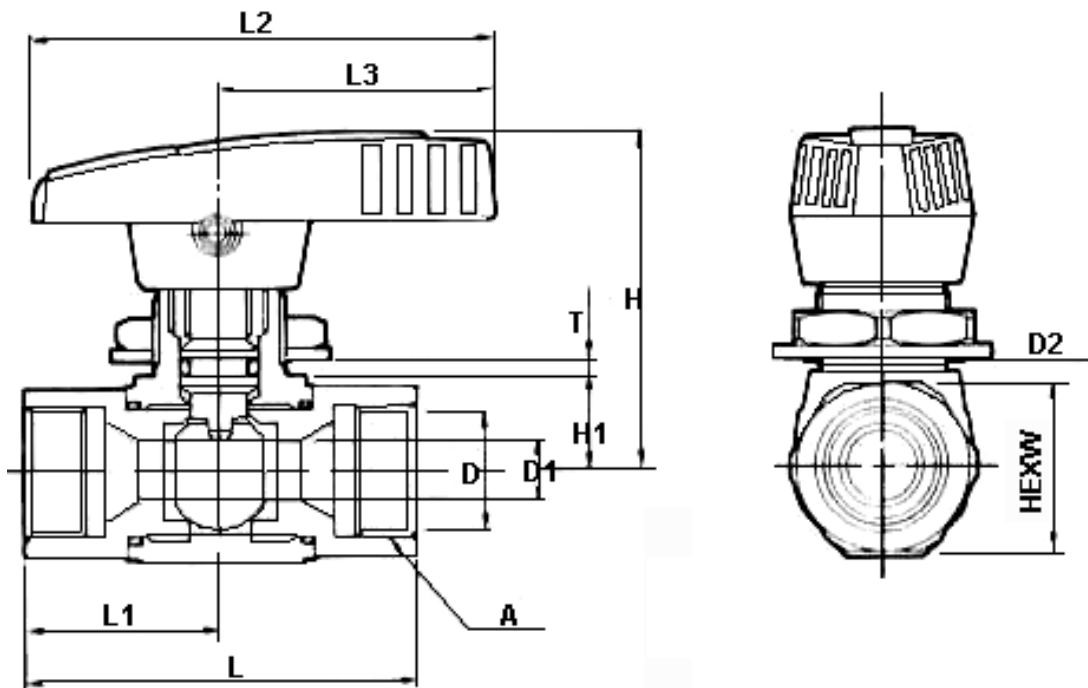


3PC Ball Valve, Female

Features

1. 2-way on-off, 3 way switching models.
2. Floating ball design for positive sealing.
3. Maximum Working Pressure: 3000PSI (206bar) at 20°C to 250°C with PTFE packing. 6000PSI (413bar) with PEEK packing.
4. Variety of end connections including tube end, male or female NPT and ISO., DIN and JIS tapered pipe ends.
5. Blow-out proof bottom loaded stem.
6. 100% Factory tested.



Dimension

	D	D1	L	L1	A	D2	H1	H	L2	L3	W	T
BV-01F(N)PT	1/8	5	53.3	27	1/8	14	10	38	48	29.5	17	5
BV-02F(N)PT	1/4	5	58.5	29	1/4	14	10	38	48	29.5	17	5
BV-03F(N)PT	3/8	10	64	32	3/8	16	14.5	45.5	60	37	28	5
BV-04F(N)PT	1/2	10	64	32	1/2	16	14.5	45.5	60	37	28	5