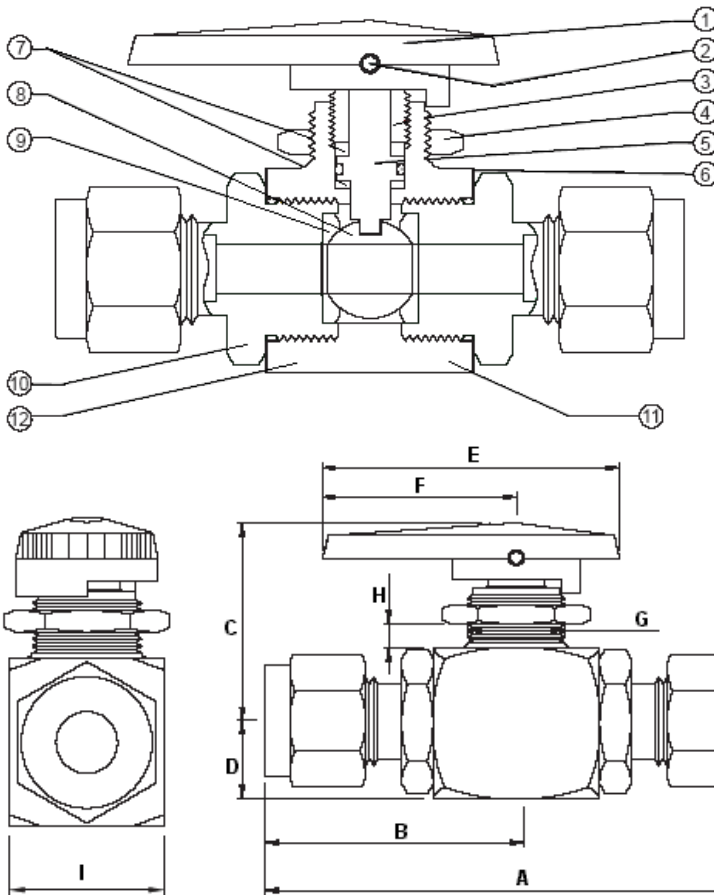


3PC Ball Valve, Tube End

Features

1. 2-way on-off, 3 way switching models.
2. Floating ball design for positive sealing.
3. Maximum Working Pressure: 3000PSI (206bar) at 20°C to 250°C with PTFE packing. 6000PSI (413bar) with PEEK packing.
4. Variety of end connections including tube end, male or female NPT and ISO., DIN and JIS tapered pipe ends.
5. Blow-out proof bottom loaded stem.
6. 100% Factory tested.
7. The temperature rating of O-ring seal:
Buna-N: -30°F to 250°F (-34°C to 121°C)
Viton (Fluorocarbon): -15°F to 400°F (-26°C to 204°C)
8. The other material is available upon request.



Material List

NO.	PART NAME	MATERIAL
1	HANDLE	BLACK PHENOLIC / ZINC ALLOY
2	GRUB SCREW	SS304
3	PACKING BOLT	SS316 / SS304
4	PANEL NUT	SS316 / SS304
5	STEM	SS316 / SS304
6	STEM SEAL	BUNA-N / VITON
7	GLAND PACKING	PTFE/ OTHER MATERIAL
8	BALL	SS316 / SS304
9	SEAT	PTFE/ OTHER MATERIAL
10	BODY SEAL	BUNA-N / VITON
11	END CAP	SS316 / SS304
12	BODY	SS316 / SS304

Dimension

SIZE INLET / OUTLET	ORIFICE		A	B	C	D	E	F	G	H	I
	MM	INCH									
3mmOD	5	0.197	61	30.5	36	10	48	29	14	6	19
4mmOD	5	0.197	61	30.5	36	10	48	29	14	6	19
6mmOD	5	0.197	66.5	33.3	36	140	48	29	14	6	19
8mmOD	5	0.197	71	35.5	36	10	48	29	14	6	19
10mmOD	5	0.197	73	36.5	36	10	48	29	14	6	19
12mmOD	10	0.394	85	42.5	45	14.5	60	37	16	6	28
14mmOD	10	0.394	85	42.5	45	14.5	60	37	156	6	28
18mmOD	10	0.394	85	42.5	45	14.5	60	37	16	6	28
22mmOD	10	0.394	86	43	47	15	60	37	16	6	29
1/8"OD	5	0.197	62	31	36	10	48	29	14	6	19
1/4"OD	5	0.197	66.5	33.3	36	10	48	29	14	6	19
3/8"OD	5	0.197	70.5	35.3	36	10	48	29	14	6	19
1/2"OD	10	0.394	86	43	45	14.5	60	37	16	6	28
3/4"OD	10	0.394	86	43	45	14.5	60	37	16	6	28