

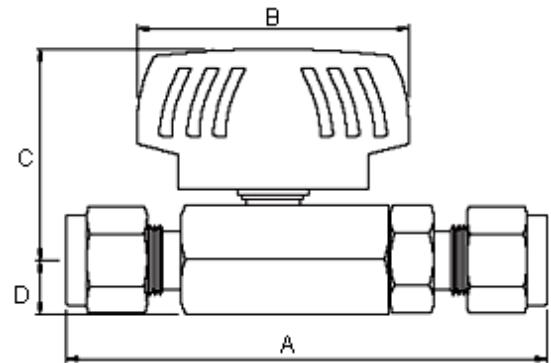
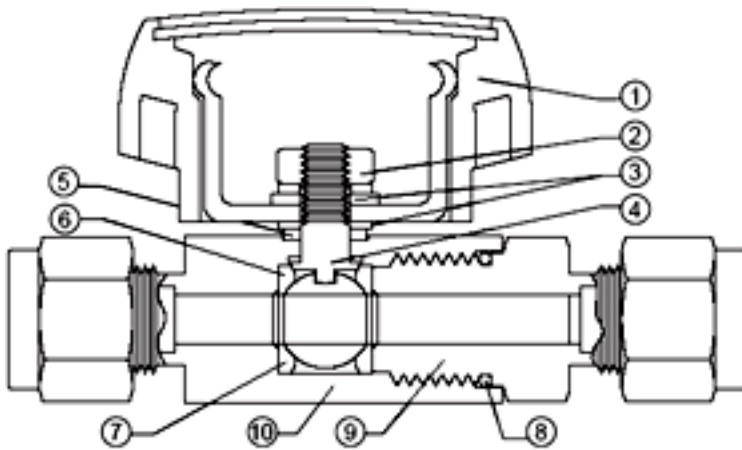
# COMPRESSION TUBE FITTINGS

WELLGROW INDUSTRIES CORP.

## 2PC Ball Valve 1000PSI

### Features

1. Floating ball design for positive sealing.
2. Maximum Working Pressure: 1000PSI at 20°C to 250°C with PTFE seat.
3. End connection: tube end.
4. Blow-out proof bottom loaded stem.
5. 100% Factory tested.
6. The temperature rating of O-ring seal:  
Buna-N: -30°F to 250°F (-34°C to 121°C)  
Viton (Fluorocarbon): -15°F to 400°F (-26°C to 204°C)
7. The other material is available upon request.



### Dimension

SIZE INLET / OUTLET	ORIFICE		A	B	C	D
	MM	INCH				
1/4" OD	5	0.197	74.3	41	33	8.5
3/8" OD	5	0.197	78.3	41	35	9.5
1/2" OD	10	0.394	91.0	50	41	13.5

### Material List

NO.	PART NAME	MATERIAL
1	HANDLE	BLACK PHENOLIC / ZINC ALLOY
2	LOCK NUT	SS304
3	WASHER	SS304
4	STEM	SS316 / SS304
5	GLAND PACKING	PTFE / OTHER MATERIAL
6	BALL	SS316 / SS304
7	SEAT	PTFE/ OTHER MATERIAL
8	BODY SEAL	BUNA-N / VITON
9	END CAP	SS316 / SS304
10	BODY	SS316/ SS304