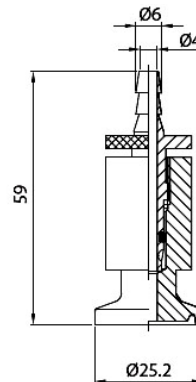
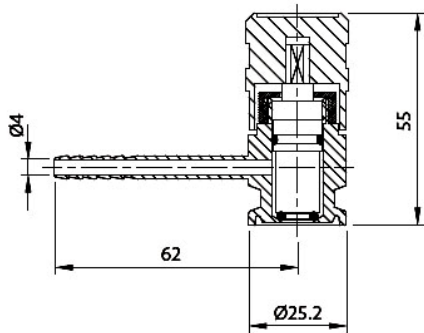
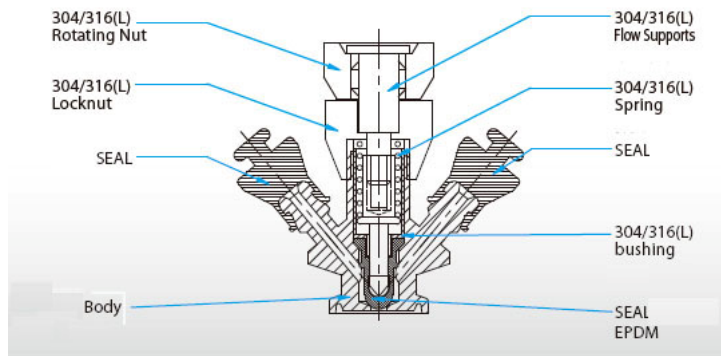


SANITARY STAINLESS STEEL FITTINGS & VALVES

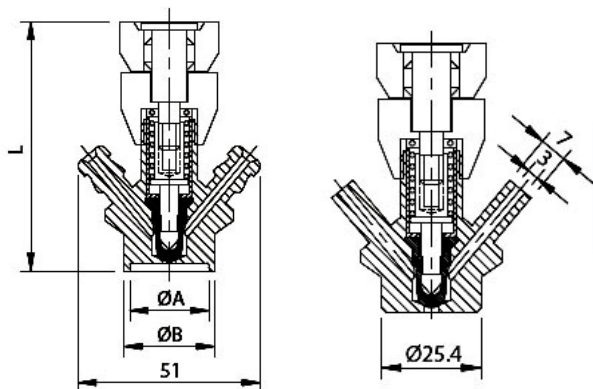
WELLGROW INDUSTRIES CORP.

BPE Sample Valves

Connection type: Weld or Clamp or other.
 Gasket: Flow Area: EPDM/SILICONE/VITON
 Other Seals: NBR & EPDM
 Working temp: Full Vacuum: -10°C~140°C (EPDM)
 Surface finish: Mirror Polished / Satin / Sand Blast

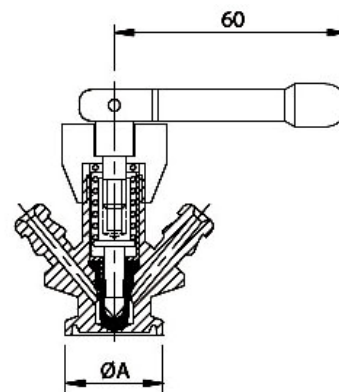


Weld End



Size	øA	øB	L
1/2"	9.4	12.7	71.5
3/4"	15.75	19.05	71.5
1"	22.1	25.4	71.5

Clamp End



Size	øA	L
A37	34	70
1/2"	25.2	70
3/4"	25.2	70
1"	50.5	70