

SANITARY STAINLESS STEEL FITTINGS & VALVES

WELLGROW INDUSTRIES CORP.

BPE Diaphragm Valve

Control mode: Pneumatic Type & Manual Type

Connection type: Clamp or Weld or other.

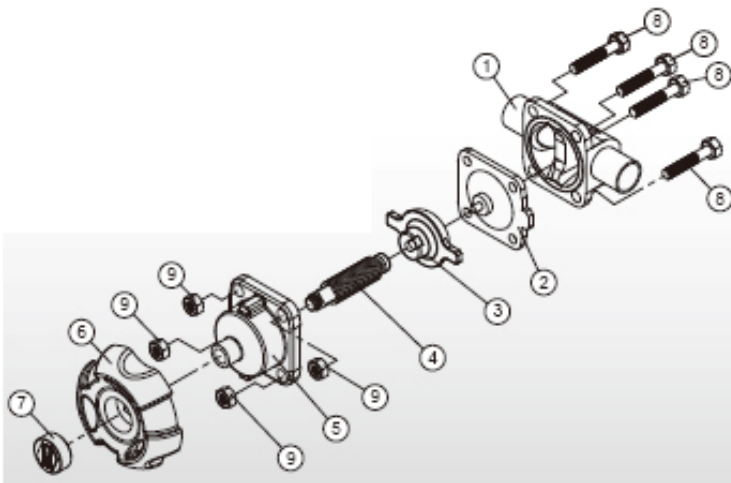
Operation: Normal Open & Normal Close design

Connection: INCH: 1/2"~2",

DIN / ISO: DN10-DN50

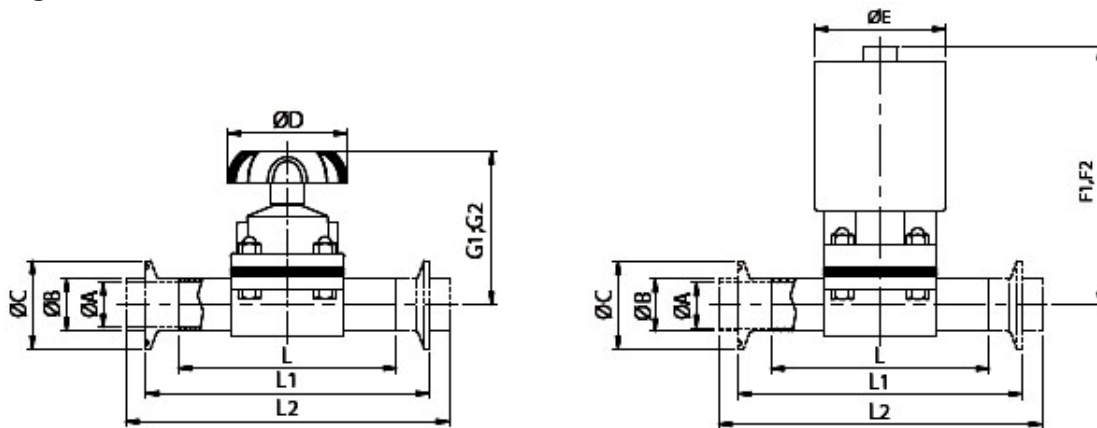
Working temp: Assembling Diaphragm: EPDM (-40°C~110°C),
PTFE/EPDM (-10°C~150°C)

Working pressure: Max 10 Bar



Part No.	Part Name	Material
1	Body	SUS316L-forged
2	Seal	EPDM+PTFE
3	Seat	SUS304
4	Screw	SUS304
5	Bonnet	POBOM/Casting
6	Hand Wheel	Nylon 66 + 30% GF
7	Cover	Nylon 66 + 30% GF
8	M6-30	SUS304
9	M6 Nut	SUS304

2-Way Diaphragm Valve



SIZE	$\varnothing A$	$\varnothing B$	$\varnothing C$	L	L1	L2	F1	F2	G1	G2	$\varnothing D$	$\varnothing E$
1/2"	9.4	12.7	77	77	94.4	129	122	131	74	83	60	60
3/4"	15.75	19.05	77	77	94.4	129	122	131	74	83	60	60
1"	22.1	25.4	100	100	125	145	212	225	100	113	95	85
1-1/2"	34.8	38.1	133	133	159	169	217	232	119	134	95	85
2"	47.5	50.8	166.5	166.5	192	191	315	333	135	153	118	133

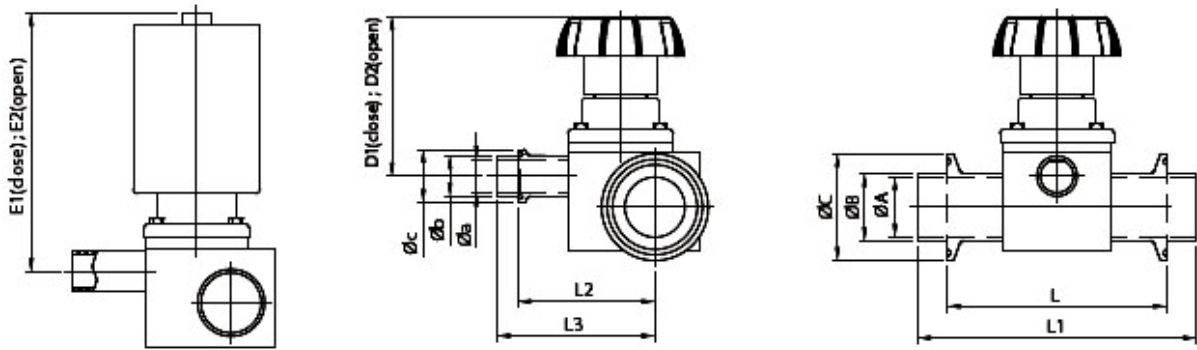
SANITARY STAINLESS STEEL FITTINGS & VALVES

WELLGROW INDUSTRIES CORP.

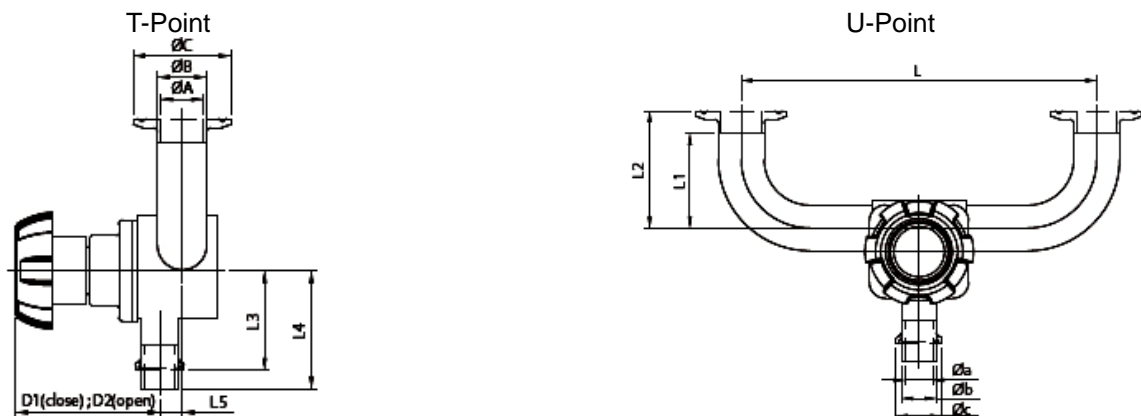
BPE Diaphragm Valve

3-Way Diaphragm Valve

Equal Tee-Point and Reducing Tee-Point



SIZE	ϕA	ϕB	ϕC	ϕa	ϕb	ϕc	L	L1	L2	L3	D1	D2	E1	E2
1/2" x 1/2"	9.4	12.7	25.2	9.4	12.7	25.2	117.4	132	58	72	74	83	122	131
3/4" x 3/4"	15.75	19.05	25.2	15.75	19.05	25.2	117.4	132	61.18	75	74	83	122	131
1" x 1/2"	22.1	25.4	50.5	9.4	12.7	25.2	117.4	132	64.35	78	74	83	122	131
1" x 3/4"	22.1	25.4	50.5	15.75	19.05	25.2	117.4	132	64.35	78	74	83	122	131
1"	22.1	25.4	50.5	22.1	25.4	50.5	136.4	151	81.25	89	100	113	212	225
1-1/2" x 1/2"	34.8	38.1	50.5	9.4	12.7	25.2	117.4	132	70.7	84.7	74	83	122	131
1-1/2" x 3/4"	34.8	38.1	50.5	15.75	19.05	25.2	117.4	132	70.7	84.7	74	83	122	131
1-1/2" x 1"	34.8	38.1	50.5	22.1	25.4	50.5	151.0	151	94.9	94.9	100	113	212	225
1-1/2"	34.8	38.1	50.5	15.75	19.05	50.5	161.4	176	101.9	108	119	134	217	232
2" x 1/2"	47.5	50.8	64.0	9.4	12.7	25.2	117.4	132	77.05	91	74	83	122	131
2" x 3/4"	47.5	50.8	64.0	15.75	19.05	25.2	117.4	132	77.05	91	74	83	122	131
2" x 1"	47.5	50.8	64.0	22.1	25.4	50.5	151.0	151	101.5	101.5	100	113	212	225
2" x 1-1/2"	47.5	50.8	64.0	34.8	38.1	50.5	176.0	176	115	115	119	134	217	232
2"	47.5	50.8	64.0	47.5	50.8	64.0	195.4	210	121.7	129	135	153	315	333



SIZE	ϕA	ϕB	ϕC	ϕa	ϕb	ϕc	L	L1	L2	L3	L4	L5	D1	D2
1/2" x 1"	22.1	25.4	50.5	9.40	12.7	25.2	196.8	52.4	65.1	64.35	78	11.55	74	83
1/2" x 1-1/2"	34.8	38.1	25.2	9.40	12.7	25.2	214.2	74.6	87.3	70.70	84.7	15.80	74	83
1/2" x 2"	47.5	50.8	64.0	9.40	12.7	25.2	298.4	103.2	115.9	77.05	91	18.35	74	83
3/4" x 1"	22.1	25.4	25.2	15.75	19.05	25.2	196.8	52.4	65.1	64.35	78	11.55	74	83
3/4" x 1-1/2"	34.8	38.1	25.2	15.75	19.05	25.2	214.2	74.6	87.3	77.70	84.7	15.8	100	113
3/4" x 2"	47.5	50.8	64.0	15.75	19.05	25.2	298.4	103.2	115.9	77.05	91	18.35	74	83