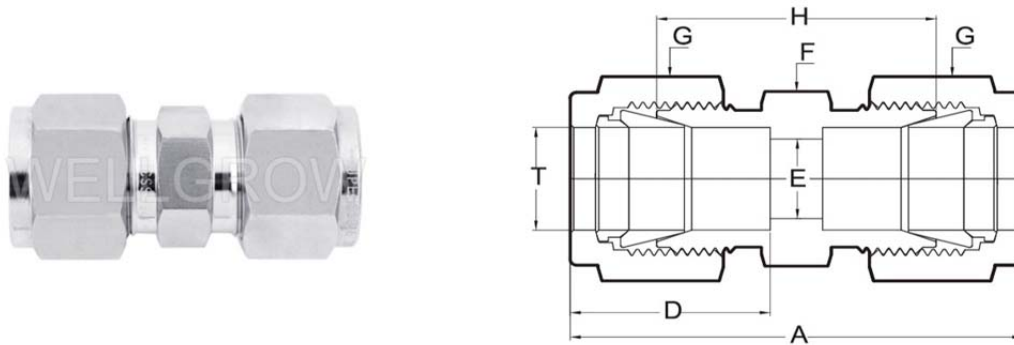


U Equal Union



Metric

TUBE O.D.	ITEM NUMBER	A	D	E	F	G	H
3	U-3-0	35.3	12.9	2.0	10	10	22.1
4	U-4-0	38.2	13.7	2.5	12	12	24.0
6	U-6-0	41.2	15.3	5.0	12	9/16	26.0
8	U-8-0	44.6	16.2	6.0	14	5/8	29.0
10	U-10-0	46.8	17.2	8.0	17	19	31.0
12	U-12-0	51.4	22.8	10.0	19	7/8	32.0
14	U-14-0	52.8	24.4	12.0	24	25	32.0
15	U-15-0	53.0	24.4	12.0	24	25	32.0
16	U-16-0	53.4	24.4	14.0	24	25	32.0
18	U-18-0	53.8	24.4	16.0	27	30	33.0
20	U-20-0	52.0	26.0	18.0	30	32	34.0
22	U-22-0	52.6	26.0	18.0	30	32	34.0
25	U-25-0	64.8	31.3	22.0	35	1-1/2	40.0

Fractional

TUBE O.D.	ITEM NUMBER	A	D	E	F	G	H
1/16	U-005-0	28.0	8.6	1.3	10	10	20.0
1/8	U-01-0	37.8	12.7	2.5	10	7/16	24.0
3/16	U-015-0	37.8	13.7	2.5	12	12	24.0
1/4	U-02-0	41.6	15.2	5.0	12	9/16	26.0
3/8	U-03-0	45.4	16.8	7.7	14	11/16	30.0
1/2	U-04-0	51.8	22.9	10.0	19	7/8	32.0
5/8	U-05-0	52.8	24.4	14.0	24	25	32.0
3/4	U-06-0	54.8	24.4	16.0	27	1-1/8	33.0
1	U-08-0	64.8	31.2	22.0	35	1-1/2	40.0