

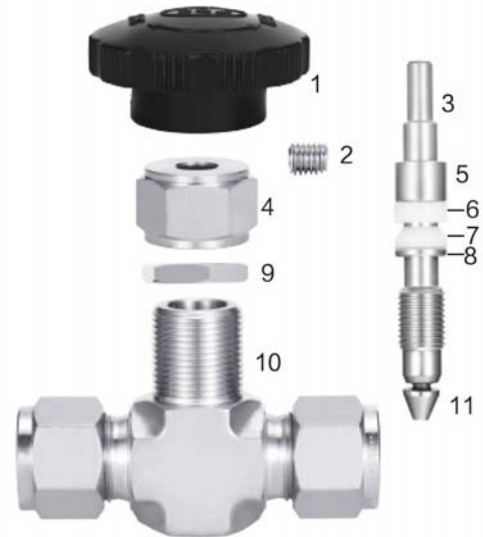
Integral Bonnet Needle Valve

Features

1. Forged body with inline and angle pattern.
2. Body material in Stainless Steel 316.
3. Max. working pressure to 6000 psig (413 bar) at 37°C (100°F).
4. Panel mountable.
5. TFM1600 packing as standard.
6. 100% factory tested with nitrogen at 1000 psig (69bar).

Options

1. Inline pattern: NV11
Angle pattern: NV12
2. Connection End: Tube OD, NPT or BSPT female & male thread.



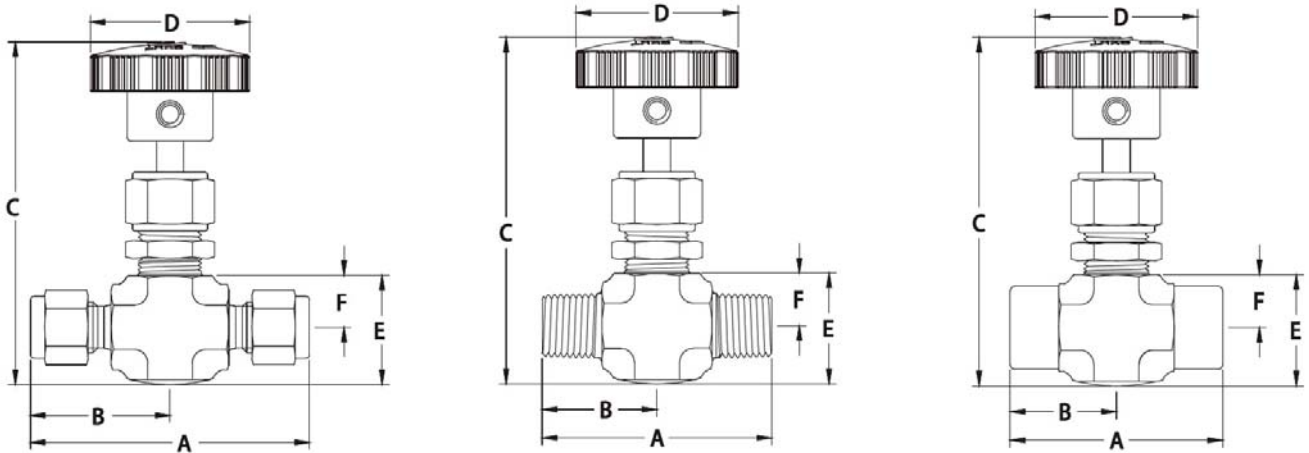
Pressure & Temperature ratings

Body Material	SS316
Packing Material	TFM1600
Temperature °C (°F)	Working Pressure psig (bar)
-53°C (-65°F)~ +37°C (100°F)	6000 (413)
93 (200)	5160 (355)
121 (250)	4910 (338)
148 (300)	4660 (321)
176 (350)	4470 (307)
204 (400)	4280 (294)

Material List

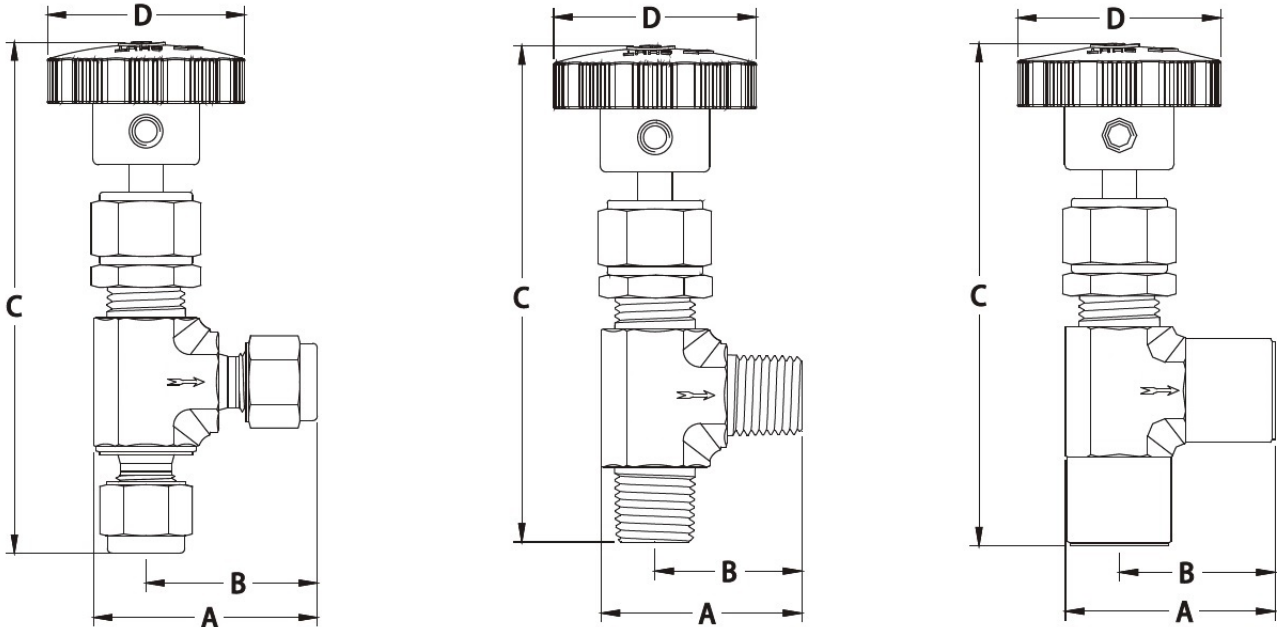
Item	Part Name	Material
1	Handle	Phenolic Resins
2	Handle Set Screw	SS304
3	Stem	SS316
4	Packing Nut	SS316
5	Upper Gland	SS316
6	Upper Packing	TFM1600
7	Lower Packing	TFM1600
8	Lower Gland	SS316
9	Panel Nut	SS304
10	Body	SS316
11	Stem Tip	SS630

NV Integral Bonnet Needle Valve, Inline Type



Type	Item No.	Conn./Size	Orifice		Dimensions (mm)					
		Inlet/Outlet	mm	in.	A	B	C	D	E	F
Tube end	NV-4OD	4mm	2	0.08	60.2	30.1	72.7	36	24.2	11.5
	NV-6OD	6mm	4	0.18	61.1	30.6	72.7	36	24.2	11.5
	NV-8OD	8mm	4	0.18	63.7	31.9	72.7	36	24.2	11.5
	NV-10OD	10mm	6	0.24	67.8	33.9	86.5	50	28.4	13.0
	NV-12OD	12mm	6	0.24	71.4	35.7	86.5	50	28.4	13.0
	NV-01OD	1/8"	2	0.08	59.8	29.9	72.7	36	24.2	11.5
	NV-02OD	1/4"	4	0.18	61.7	30.9	72.7	36	24.2	11.5
	NV-03OD	3/8"	6	0.24	67.5	33.8	86.5	50	28.4	13.0
Male thread	NV-04OD	1/2"	6	0.24	71.8	35.9	86.5	50	28.4	13.0
	NV-01M	1/8"	4	0.16	46.0	23.0	72.7	36	24.2	11.5
	NV-02M	1/4"	4	0.16	50.0	25.0	72.7	36	24.2	11.5
Female thread	NV-03M	3/8"	6	0.24	56.0	28.0	86.5	50	28.4	13.0
	NV-01F	1/8"	4	0.16	46.0	23.0	72.7	36	24.2	11.5
	NV-02F	1/4"	4	0.16	46.0	23.0	72.7	36	24.2	11.5
	NV-03F	3/8"	6	0.24	52.0	26.0	86.5	50	28.4	13.0

NVA Integral Bonnet Needle Valve, Angle Type



Type	Item No.	Conn./Size	Orifice		Dimensions (mm)			
		Inlet/Outlet	mm	in.	A	B	C	D
Tube end	NVA-4OD	4mm	2	0.08	39.4	30.1	74.8	36
	NVA-6OD	6mm	4	0.16	39.9	30.6	74.8	36
	NVA-8OD	8mm	4	0.16	40.2	30.8	74.8	36
	NVA-10OD	10mm	6	0.24	47.7	35.9	86.5	50
	NVA-12OD	12mm	6	0.24	49.5	37.7	86.5	50
	NVA-01OD	1/8"	2	0.08	39.2	29.9	74.8	36
	NVA-02OD	1/4"	4	0.16	40.2	30.8	74.8	36
	NVA-03OD	3/8"	6	0.24	47.6	35.7	86.5	50
Male thread	NVA-01M	1/8"	4	0.16	32.3	23.0	74.8	36
	NVA-02M	1/4"	4	0.16	36.8	27.5	79.3	36
Female thread	NVA-01F	1/8"	4	0.16	32.3	23.0	74.8	36
	NVA-02F	1/4"	4	0.16	36.8	27.0	79.3	36
	NVA-03F	3/8"	6	0.24	39.8	28.0	90.0	50