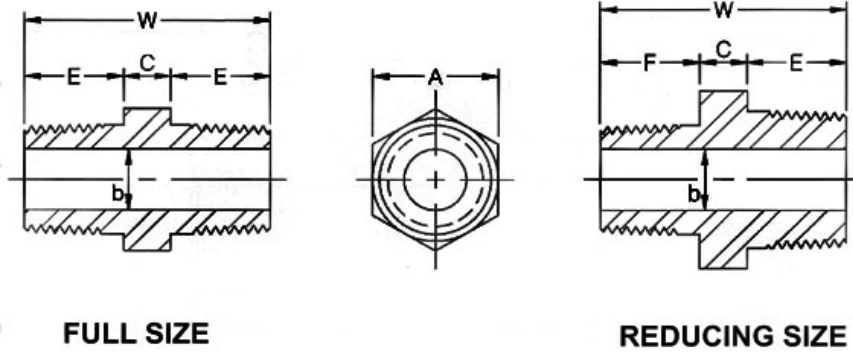


Hex Nipples Threaded

BS3799-1974



FULL SIZE

REDUCING SIZE

Nominal Size		A (Min)	W (Min)	E (Min)	b		C (Min)	F (Min)
DN	Inch				3000	6000		
6	1/8"	11	26	10	5	2	6	-
8	1/4"	15	36	15	8	6	6	-
8 x 6	1/4"x1/8"	15	31	15	5	2	6	10
10	3/8"	18	40	16	11	8	8	-
10 x 8	3/8"x1/4"	18	39	16	8	6	8	15
15	1/2"	22	48	20	14	11	8	-
15 x 10	1/2"x3/8"	22	44	20	11	8	8	16
15 x 8	1/2"x1/4"	22	43	20	8	6	8	15
20	3/4"	27	52	21	19	13	10	-
20 x 15	3/4"x1/2"	27	50	21	14	11	9	20
20 x 10	3/4"x3/8"	27	46	21	11	8	9	16
25	1"	35	60	25	24	17	10	-
25 x 20	1"x3/4"	35	56	25	19	13	10	21
25 x 15	1"x1/2"	35	55	25	14	11	10	20
40	1-1/2"	50	68	26	38	30	16	-
40 x 25	1-1/2"x1"	50	67	26	24	17	16	25
40 x 20	1-1/2"x3/4"	50	63	26	19	13	16	21
40 x 15	1-1/2"x1/2"	50	62	26	14	11	16	20
50	2"	62	71	27	49	39	17	-
50 x 40	2"x1-1/2"	62	70	27	38	30	17	26
50 x 25	2"x1"	62	70	27	24	17	18	25
50 x 20	2"x3/4"	62	65	27	19	13	17	21
50 x 15	2"x1/2"	62	65	27	14	11	18	20

Dimensions in Millimeters.