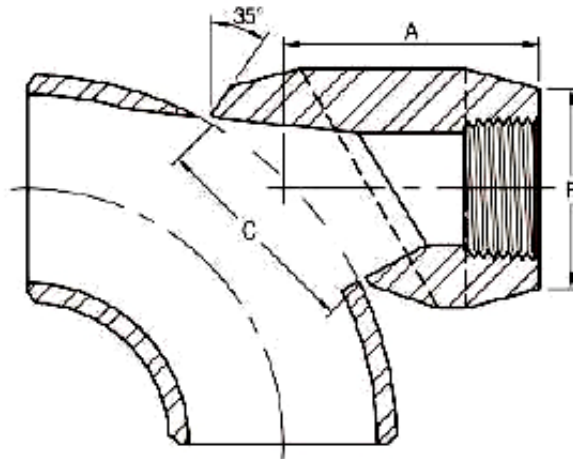


## 90° Elbow Outlet Threaded



### 3000LB

Outlet Pipe		A	C	F
DN	Inch			
8	1/4"	40.5	35.2	22.0
10	3/8"	40.5	35.2	25.9
15	1/2"	40.5	35.2	31.4
20	3/4"	47.6	43.6	37.1
25	1"	55.6	54.0	45.5
32	1-1/4"	60.3	67.5	57.0
40	1-1/2"	66.7	76.2	64.0
50	2"	81.0	104.8	76.0
65	2-1/2"	82.6	106.4	92.0
80	3"	96.8	125.4	109.2
100	4"	114.3	163.5	140.0

### 6000LB

Outlet Pipe		A	C	F
DN	Inch			
8	1/4"	40.5	34.9	26.0
10	3/8"	40.5	34.9	33.0
15	1/2"	47.6	34.9	38.0
20	3/4"	55.6	43.6	44.0
25	1"	60.3	54.0	57.0
32	1-1/4"	66.7	67.5	64.0
40	1-1/2"	85.7	76.2	76.0

(1) Dimensions in Millimeters.

(2) Thread in accordance with ASME B1.20.1

(3) Dimensions may vary according to the customer's and manufacturer's requirement.