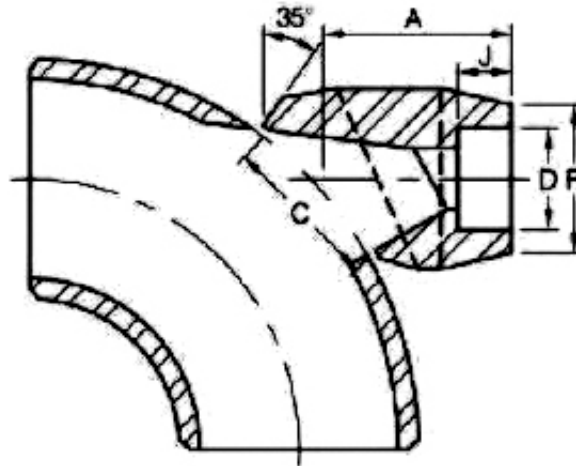


90° Elbow Outlet Socket Weld



3000LB

Outlet Pipe		A	C	F	D	J
DN	Inch					
8	1/4"	40.5	35.2	22.0	14.35	10.0
10	3/8"	40.5	35.2	25.9	17.80	10.0
15	1/2"	40.5	35.2	31.4	21.95	11.1
20	3/4"	47.6	43.6	37.1	27.30	12.7
25	1"	55.6	54.0	45.5	34.05	13.5
32	1-1/4"	60.3	67.5	57.0	42.80	15.1
40	1-1/2"	66.7	76.2	64.0	48.90	15.9
50	2"	81.0	104.8	76.0	61.35	17.5
65	2-1/2"	82.6	106.4	92.0	74.15	23.8
80	3"	96.8	125.4	109.2	90.10	28.6
100	4"	114.3	163.5	140.0	115.75	29.4

6000LB

Outlet Pipe		A	C	F	D	J
DN	Inch					
8	1/4"	40.5	34.9	26.0	14.35	10.0
10	3/8"	40.5	34.9	33.0	17.80	10.0
15	1/2"	47.6	34.9	38.0	21.95	10.0
20	3/4"	55.6	43.6	44.0	27.30	14.3
25	1"	60.3	54.0	57.0	34.05	15.9
32	1-1/4"	66.7	67.5	64.0	42.80	20.6
40	1-1/2"	85.7	76.2	76.0	48.90	20.6

(1) Dimensions in Millimeters.

(2) Dimensions refer to ANSI B16.11

(3) Dimensions may vary according to the customer's and manufacturer's requirement.