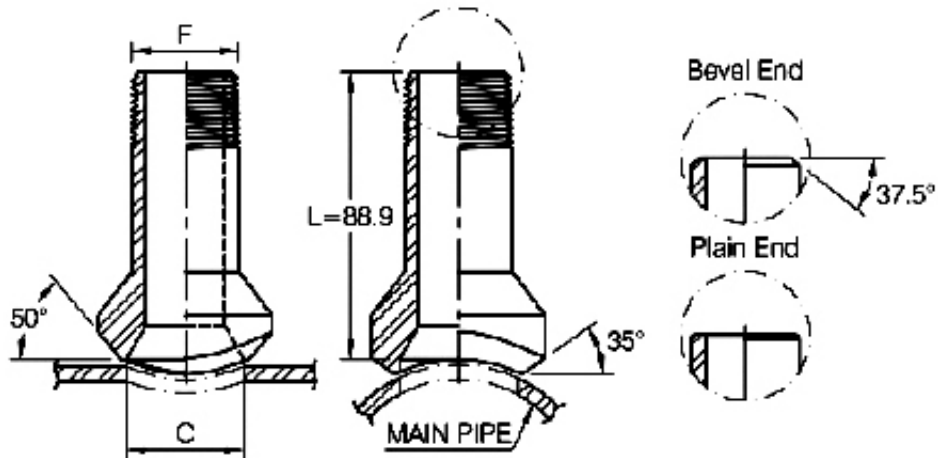


## Nipple Branch Outlet Butt Weld (Bevel / Plain End)



Outlet Pipe	C		F
	STD - XS	Sch160 - XXS	
1/2"	23.8	13.8	21.3
3/4"	30.2	18.9	26.7
1"	36.5	24.3	33.4
1-1/4"	44.5	32.5	42.2
1-1/2"	50.8	38.1	48.3
2"	65.1	49.2	60.3

(1) Dimensions in Millimeters.

(2) Weld bevel in accordance with ASME B16.25

(3) Dimensions may vary according to the customer's and manufacturer's requirement.