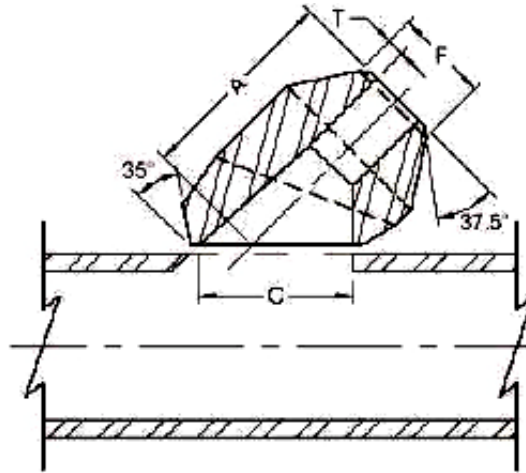


## Lateral Outlet Butt Weld



### Sch80

Outlet Pipe		A	C	F	T
DN	Inch				
8	1/4"	40.5	35.2	13.7	3.0
10	3/8"	40.5	35.2	17.1	3.2
15	1/2"	40.5	35.2	21.3	3.7
20	3/4"	47.6	43.6	26.7	3.9
25	1"	55.6	54.0	33.4	4.5
32	1-1/4"	60.3	67.5	42.2	4.9
40	1-1/2"	66.7	76.2	48.3	5.1
50	2"	81.0	104.8	60.3	5.5
65	2-1/2"	82.6	106.4	73.0	7.0
80	3"	96.8	125.4	88.9	7.6
100	4"	114.3	163.5	114.3	8.6

### Sch160

Outlet Pipe		A	C	F	T
DN	Inch				
8	1/4"	40.5	34.9	13.7	3.7
10	3/8"	40.5	34.9	17.1	4.0
15	1/2"	47.6	34.9	21.3	4.7
20	3/4"	55.6	43.6	26.7	5.5
25	1"	60.3	54.0	33.4	6.4
32	1-1/4"	67.7	67.5	42.2	6.4
40	1-1/2"	85.7	76.2	48.3	7.1

(1) Dimensions in Millimeters.

(2) Weld bevel in accordance with ASME B16.25

(3) Dimensions may vary according to the customer's and manufacturer's requirement.