

WELLGROW INDUSTRIES CORP.

Pipe and Tube



STAINLESS STEEL TUBE

**Welded Austenitic Stainless Steel Tube for Boiler, Heat-Exchanger,
General Service & Food-Industrial Tubing**

ASTM A249, A269, A270, JIS G3447 & G3463 CNS 6668 & 7383

Thickness		mm	1.2	1.24	1.50	1.65	2.00	2.11	2.41	2.77	3.05
		Gage		18		16		14	13	12	11
Outside Diameter	in	mm									
		3/4"	29								
	1"	25.7									
	1-1/4"	31.8									
	1-1/2"	38.1									
	2"	50.8									
	2-1/2"	63.5									
	3"	76.2									
	3-1/2"	88.9									
	4"	101.6									
	4-1/2"	114.3									
	5-1/2"	139.8									
	6-1/2"	165.2									

Stainless Steel Tubes for Mechanical and Structural Purposes

ASTM A554 JIS G3446 CNS 5802

Thickness		mm	0.6	0.7	0.8	0.9	1.0	1.2	1.5	2.0	2.5	3.0
		In	0.0236	0.0276	0.0315	0.0354	0.0393	0.0475	0.0590	0.0787	0.0980	0.1180
Outside Diameter	in	mm										
		3/8"	9.5									
	1/2"	12.7										
	5/8"	15.9										
	3/4"	19.0										
	7/8"	22.2										
	1"	25.4										
	1-1/8"	28.6										
	1-1/4"	31.8										
	1-1/2"	38.1										
	2"	50.8										
	2-1/2"	63.5										
	3"	76.2										
	3-1/2"	88.9										
	4"	101.6										
	4-1/2"	114.3										

WELLGROW INDUSTRIES CORP.

STAINLESS STEEL AND CARBON STEEL PIPE

Stainless Steel Pipe and Wrought Steel Pipe

ASTM A312, A358, A778, A53, A106, API 5L ASME/ANSI B36.19 B36.10

Nominal Pipe Size Inches	Outside Diameter		Wall thickness: mm													Figures based on austenitic steel			
	in	mm	SCH 10	SCH 20	SCH 30	SCH STD	SCH 40	SCH 60	SCH XS	SCH 80	SCH 100	SCH 120	SCH 140	SCH 160	SCH XXS	SCH 5 S	SCH 10 S	SCH 40 S	SCH 80 S
1/8	0.405	10.29	1.24			1.73	1.73		2.41	2.41							1.24	1.73	2.41
1/4	0.540	13.72	1.65		1.85	2.24	2.24		3.02	3.02							1.65	2.24	3.02
3/8	0.675	17.15	1.65		1.85	2.31	2.31		3.2	3.2							1.65	2.31	3.2
1/2	0.840	21.34	2.11		2.41	2.77	2.77		3.73	3.73				4.78	7.47	1.65	2.11	2.77	3.73
3/4	1.050	26.67	2.11		2.41	2.87	2.87		3.91	3.91				5.56	7.82	1.65	2.11	2.87	3.91
1	1.315	33.40	2.77		2.90	3.38	3.38		4.55	4.55				6.35	9.09	1.65	2.77	3.38	4.55
1 1/4	1.660	42.16	2.77		2.97	3.56	3.56		4.85	4.85				6.35	9.7	1.65	2.77	3.56	4.85
1 1/2	1.900	48.26	2.77		3.18	3.68	3.68		5.08	5.08				7.14	10.15	1.65	2.77	3.68	5.08
2	2.375	60.33	2.77		3.18	3.91	3.91		5.54	5.54				8.74	11.07	1.65	2.77	3.91	5.54
2 1/2	2.875	73.03	3.05		4.78	5.16	5.16		7.01	7.01				9.35	14.02	2.11	3.05	5.16	7.01
3	3.500	88.90	3.05		4.78	5.49	5.49		7.62	7.62				11.13	15.24	2.11	3.05	5.49	7.62
3 1/2	4.000	101.60	3.05		4.78	5.74	5.74		8.08	8.08				-	-	2.11	3.05	5.74	8.08
4	4.500	114.30	3.05		4.78	6.02	6.02		8.56	8.56		11.13		13.49	17.12	2.11	3.05	6.02	8.56
5	5.563	141.30	3.4			6.55	6.55		9.53	9.53		12.7		15.88	19.05	2.77	3.40	6.55	9.53
6	6.625	168.28	3.4			7.11	7.11		10.97	10.97		14.27		18.26	21.95	2.77	3.40	7.11	10.97
8	8.625	219.08	3.76	6.35	7.04	8.18	8.18	10.31	12.7	12.7	15.09	18.26	20.62	23.01	22.23	2.77	3.76	8.18	12.7
10	10.750	273.05	4.19	6.35	7.80	9.27	9.27	12.7	12.7	15.09	18.26	21.44	25.4	28.58	25.4	3.4	4.19	9.27	12.7
12	12.750	323.85	4.57	6.35	8.38	9.53	10.31	14.27	12.7	17.48	21.44	25.4	28.58	33.32	25.4	3.96	4.57	9.52	12.7
14	14.000	355.60	6.35	7.92	9.53	9.53	11.13	15.09	12.7	19.05	23.83	27.79	31.75	35.71	35.71	3.96	4.78		
16	16.000	406.40	6.35	7.92	9.53	9.53	12.7	16.66	12.7	21.44	26.19	30.96	36.53	40.49	40.49	4.19	4.78		
18	18.000	457.20	6.35	7.92	11.13	9.53	14.27	19.05	12.7	23.88	29.36	34.93	39.67	45.24	45.24	4.19	7.78		
20	20.000	508.00	6.35	9.53	12.7	9.53	15.09	20.62	12.7	26.19	32.54	38.1	44.45	50.01	50.01	4.78	5.54		
22	22.000	558.80	6.35	9.53	12.7	9.53	-	22.23	12.7	28.58	34.93	41.28	47.63	53.98	53.97	4.78	5.54		
24	24.000	609.60	6.35	9.53	14.27	9.53	17.48	24.61	12.7	30.96	38.89	46.02	52.37	59.54	59.54	5.54	6.35		
26	26.000	660.00	6.35	12.7	-	9.53	-		12.7										
28	28.000	711.20	6.35	12.7	15.88	9.53	-		12.7										
30	30.000	762.00	6.35	12.7	15.88	9.53	-		12.7							6.35	7.92		
32	32.000	812.80	6.35	12.7	15.88	9.53	17.48		12.7										
34	34.000	863.60	6.35	12.7	15.88	9.53	17.48		12.7										
36	36.000	914.40	6.35	12.7	15.88	9.53	19.05		12.7										
38	38.000	965.20				9.53			12.7										
40	40.000	1016.00				9.53			12.7										
42	42.000	1066.80				9.53			12.7										
44	44.000	1117.60				9.53			12.7										
46	46.000	1168.40				9.53			12.7										
48	48.000	1219.20				9.53			12.7										
52	52.000	1321.00				9.53			12.7										
56	56.000	1422.00				9.53			12.7										
60	60.000	1524.00				9.53			12.7										
72	72.000	1829.00				9.53			12.7										

STAINLESS STEEL TUBE

Stainless Steel Square Tube

Outside Diameter		Thickness mm	0.6	0.7	0.8	0.9	1.0	1.2	1.5	2.0	3.0
In	mm										
1/2"x1/2"	12.7x12.7										
	18.0x18.0										
3/4"x3/4"	19.0x19.0										
	20.0x20.0										
7/8"x7/8"	22.2x22.2										
1"x1"	25.4x25.4										
	30.0x30.0										
1-1/4"x1-1/4"	31.8x31.8										
1-1/2"x1-1/2"	38.1x38.1										
	40.0x40.0										
	50.0x50.0										
2"x2"	50.8x50.8										
	60.0x60.0										
	70.0x70.0										
	80.0x80.0										
	90.0x90.0										
	100.0x100.0										

Stainless Steel Rectangular Tube

Outside Diameter mm	Thickness mm	0.8	0.9	1.0	1.2	1.5	2.0	2.5	3.0
13x26									
14x31									
15x30									
20x40									
25x50									
26x40									
30x60									
36x64									
40x80									
45x75									
45x95									
50x100									
80x180									

STAINLESS STEEL TUBE

Stainless Steel ERW Square Tube

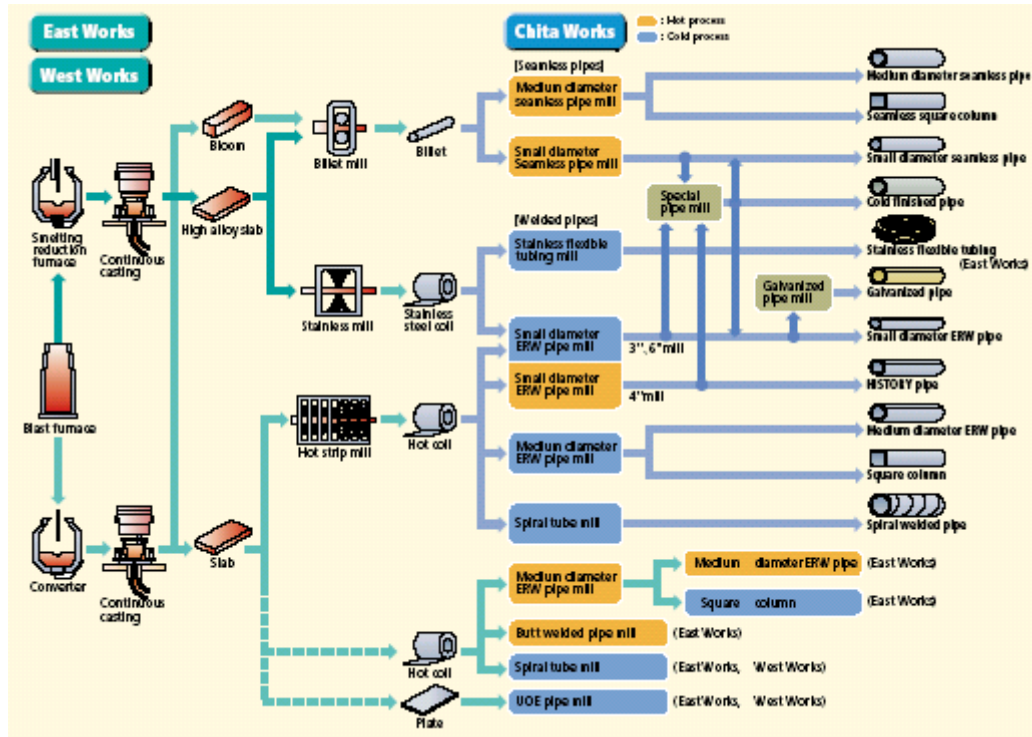
Outside Diameter		Thickness mm	0.6	0.7	0.8	0.9	1.0	1.2	1.5
			In	mm					
		18.0x18.0							
1"x1"		25.4x25.4							
1-1/4"x1-1/4"		31.8x31.8							
1-1/2"x1-1/2"		38.1x38.1							
2"x2"		50.8x50.8							

Stainless Steel ERW Tube

Outside Diameter		Thickness mm	0.6	0.7	0.8	0.9	1.0	1.2	1.5
			In	mm					
5/8"		15.9							
3/4"		19.0							
7/8"		22.2							
1"		25.4							
1-1/4"		31.8							
1-1/2"		38.1							
2"		50.8							
2-1/2"		63.5							

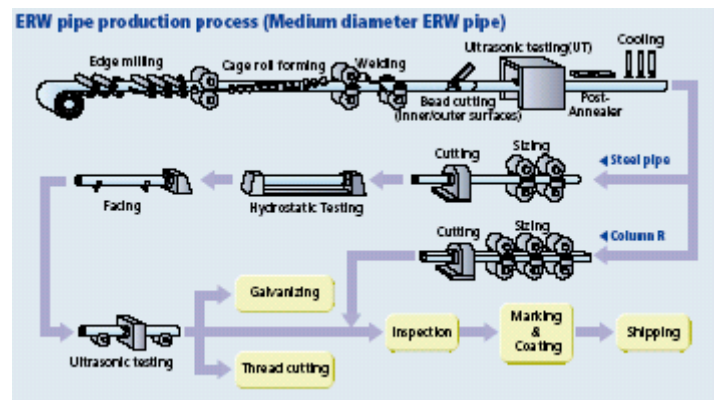
WELLGROW INDUSTRIES CORP.

MANUFACTURING PROCESS



ELECTRIC RESISTANCE WELD PIPE (ERW).

Cold finished pipe made by a series of operations in which the flat rolled material is cold shaped into tubular form and welded at the seam by the application of pressure and heat. The heat is generated at the seam by the resistance to the flow of electric current applied through electrical contacts or an induction coil.



SEAMLESS PIPE.

Hot finished pipe made from a reheated billet which is forged into a bottle shape, elongated and subsequently stretched over a mandrel bar by pushing through a series of roller dies. After reheating, reducing rolls give it its final dimensions.

