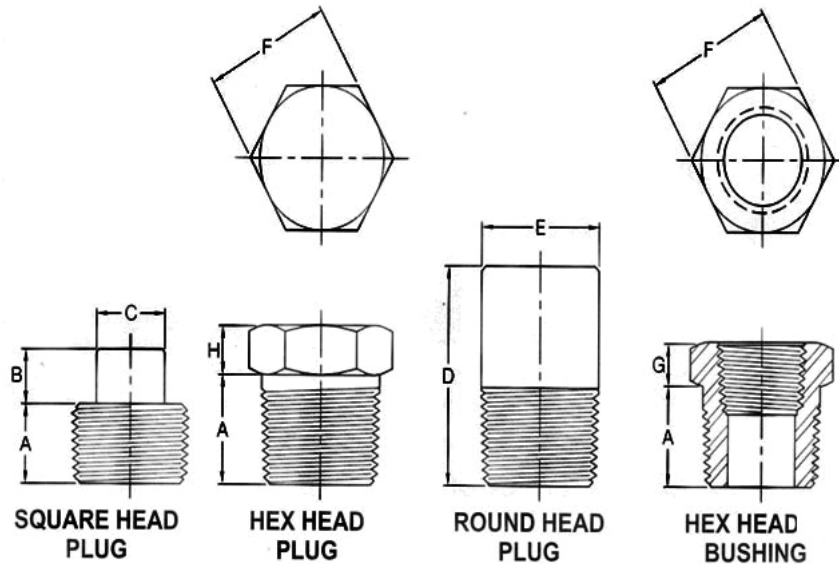


Thread Fittings

ASME B16.11-2009 (Revision of ASME B16.11-2005)



DN	Nom. Pipe Size	Length (Min.) A	Square Head Plug		Round Head Plug		Hex. Head Plug & Bushing		
			Height of Square (Min.) B	Width Flat (Min.) C	Nominal Diameter of Head (Nom) E	Length (Min.) D	Width Flat (Nom.) F	Hex. Height (Min.)	
							Bushing G	Plug H	
6	1/8"	10	6	7	10	35			6
8	1/4"	11	6	10	14	41	16	3	6
10	3/8"	13	8	11	18	41	18	4	8
15	1/2"	14	10	14	21	44	22	5	8
20	3/4"	16	11	16	27	44	27	6	10
25	1"	19	13	21	33	51	36	6	10
32	1-1/4"	21	14	24	43	51	46	7	14
40	1-1/2"	21	16	28	48	51	50	8	16
50	2"	22	18	32	60	64	65	9	18
65	2-1/2"	27	19	36	73	70	75	10	19
80	3"	28	21	41	89	70	90	10	21
100	4"	32	25	65	114	76	115	13	25

(1) Dimensions in Millimeters.

(2) CAUTIONARY NOTE REGARDING HEX BUSHINGS.

Hex head bushing of one-size reduction should not be used in services where they might be subject to harmful loads and forces other than internal pressure.